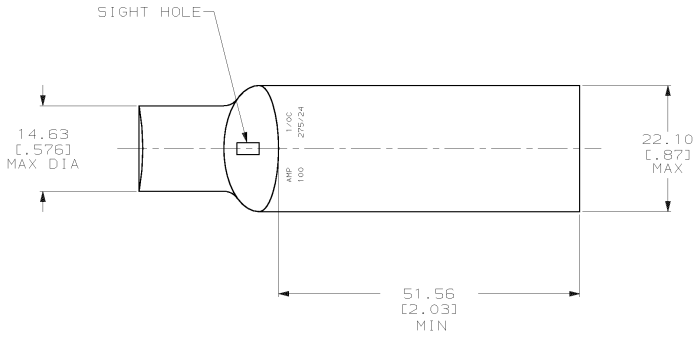
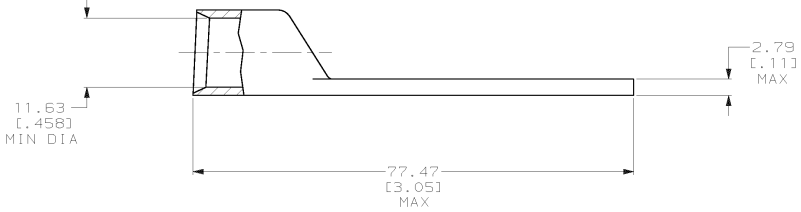


DRAWING MADE IN THIRD ANGLE PROJECTION  
 THIS DRAWING IS UNPUBLISHED. RELEASED FOR PUBLICATION .19  
 © COPYRIGHT 19 BY AMP INCORPORATED. ALL INTERNATIONAL RIGHTS RESERVED.

LOC		DIST		REVISIONS			DATE	APPD
ZONE	LTR	Y	REV	PER	DESCRIPTION			
6	86	P	F		REV PER 063A-0561-01	070C102	JR/RS	



1 CIRCULAR MIL RANGE: 83,700-119,500 CM  
 TIN PL 0.00381 [.000150] MIN THK PER MIL-T-10727



**METRIC**

DO NOT SCALE PRINT. UNLESS SPECIFIED DIMENSIONS IN mm [INCHES] TOLERANCES ON:		DR 03/09/90 DK SCHIRM		325308 PART NO	
2 PLC DEC ± 0.51(.020)		CHK 31AUG94 MS FEHER		AMP AMP INCORPORATED Harrisburg, Pa. 17105	
3 PLC DEC ± -		APPD 31AUG94 WJ VOCKROTH		NAME	
ANGLES ± -		APPD 31AUG94 TL SHUTTER		TERMINAL, AMPOWER WIRE SIZE: 1/0 AWG	
MATERIAL ANNEALED COPPER ASTM B-75		PRODUCT SPEC -		DRAWING NO 325308	
FINISH △		APPLICATION SPEC -		SIZE C CAGE CODE 00779	
WEIGHT .067 LB		SCALE 2:1		SHEET 1 OF 1	