

4

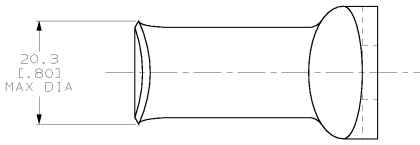
3

2

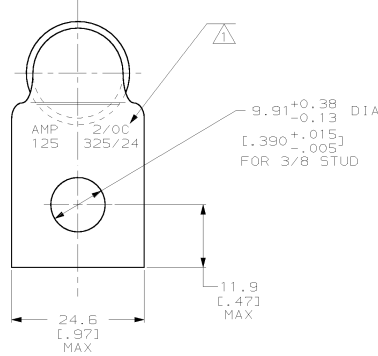
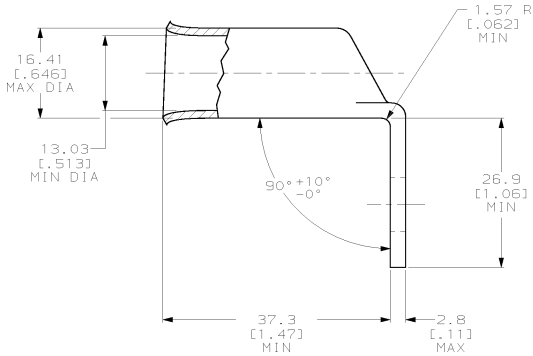
1

THIS DRAWING IS UNPUBLISHED.
 (C) COPYRIGHT 19 BY AMP INCORPORATED. ALL RIGHTS RESERVED.

LOC	DIST	REVISIONS			
		DESCRIPTION	DATE	BY	APPD
G	86				
		D REV PER 063A-0561-01	070CT02	JR	MS



△ STAMP AMP 2/0C 125 325/24 APPROX AS SHOWN



184259-1
PART NUMBER

AMP INCORPORATED CUSTOMER SERVICE SYSTEMS		RECOMMENDED OPERATING TEMPERATURE: 170° MAX
FOR ADDITIONAL PRODUCT INFORMATION OR COPIES OF DRAWINGS AND TECHNICAL DOCUMENTS	PRODUCT INFORMATION CENTER 1-800-522-6752	VOLTAGE RATING: NOT APPLICABLE
FOR APPLICATION TOOLING INFORMATION	TOOLING ASSISTANCE CENTER 1-800-722-1111	WIRE CROSS SECTIONAL AREA RANGE: 60.6-76.3mm ² [119,500-150,500] CIR MILS SOLID OR STRANDED
FOR ORDER ENTRY	1-800-526-5142	

<small>NOT RECOMMENDED FOR USE IN HIGH VOLTAGE OR HIGH CURRENT APPLICATIONS. QUALIFICATION SHALL BE REFERENCED TO THE USER'S SPECIFICATION.</small>		DSN: 20980-90 CXC: 02JAN90 JLN: VODERBOTH JLN: BEECHLEY PRODUCT SPEC: 108-30200 APPLICATION SPEC:	AMP AMP Incorporated Harrisburg, PA 17105-3608
DIMENSIONS (INCHES) 	DIMENSIONS (MILLIMETERS) 	MATERIAL: COPPER FINISH: PER ASTM B-75 ANNEALED TENSILE: 0.00381E-0001503 MIN THK PER ASTM B545	NAME: TERMINAL, BENT 90, AMPPOWER, WIRE SIZE: 2/0 AWG SIZE: A2 CASE CODE: 00779 DRAWING NO: C-184259 WEIGHT: .072 Lbs CUSTOMER DRAWING
SCALE: 2:1 SHEET: 1 OF 1 REV: 0			

AMP 1471-9 REV 0394194
 17-JUL-00 07:23:37 amp13469 /home/amp13469/redmod

184259

A