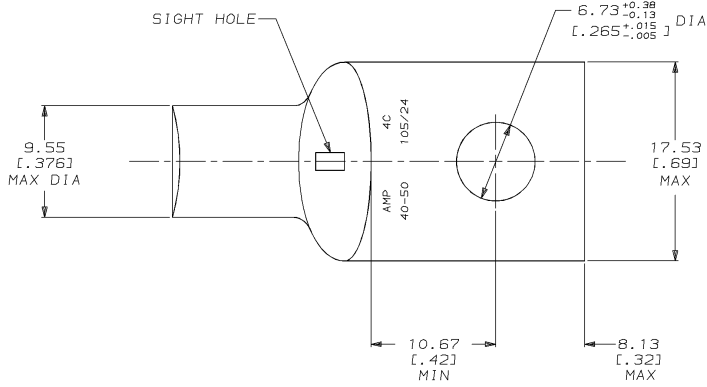
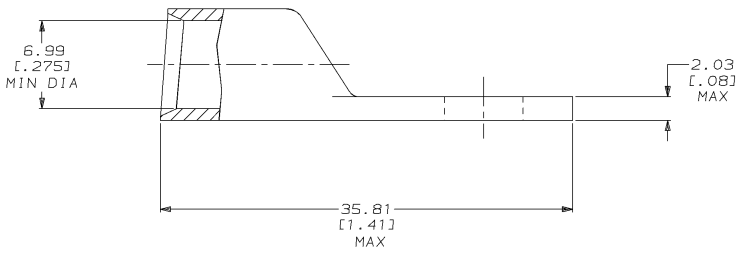


DRAWING MADE IN THIRD ANGLE PROJECTION  
 THIS DRAWING IS UNPUBLISHED. RELEASED FOR PUBLICATION .19  
 © COPYRIGHT 19 BY AMP INCORPORATED. ALL INTERNATIONAL RIGHTS RESERVED.

REVISIONS								
LOC	DIST	P	F	ZONE	LTR	DESCRIPTION	DATE	APPD
6	86				S	REV & REDRA PER G-5357	02/28/90	



1 CIRCULAR MIL AREA RANGE: 33,100-52,600 CM  
 TIN PL 0.00381 [.000150] MIN THK PER MIL-T-10727



**METRIC**

DO NOT SCALE PRINT. UNLESS SPECIFIED DIMENSIONS IN mm [INCHES] TOLERANCES ON: 2 PLC DEC ± 0.51 (.020) 3 PLC DEC ± - ANGLES ± -		DR 02/28/90 DK SCHUM	328162 PART NO	
MATERIAL ANNEALED COPPER ASTM B-152	FINISH △	CHK 1S JANS MS FEHER	APPD 1S JANS WJ VOCKROTH	NAME AMP AMP INCORPORATED Harrisburg, Pa. 17105
PRODUCT SPEC 108-30200	APPLICATION SPEC -	APPD 1S JANS TL SHUTTER	SIZE C	CAGE CODE 00779
WEIGHT .017 LB	SCALE 4:1	DRAWING NO 328162	SHEET 1 OF 1	

AMP 1471-6 REV 6-89  
 19-JAN-95 12:30:00 amp26463 //files/dept1123/dwa1123/u.ampower/u\_rect-tonque

CUSTOMER DRAWING

328162

A