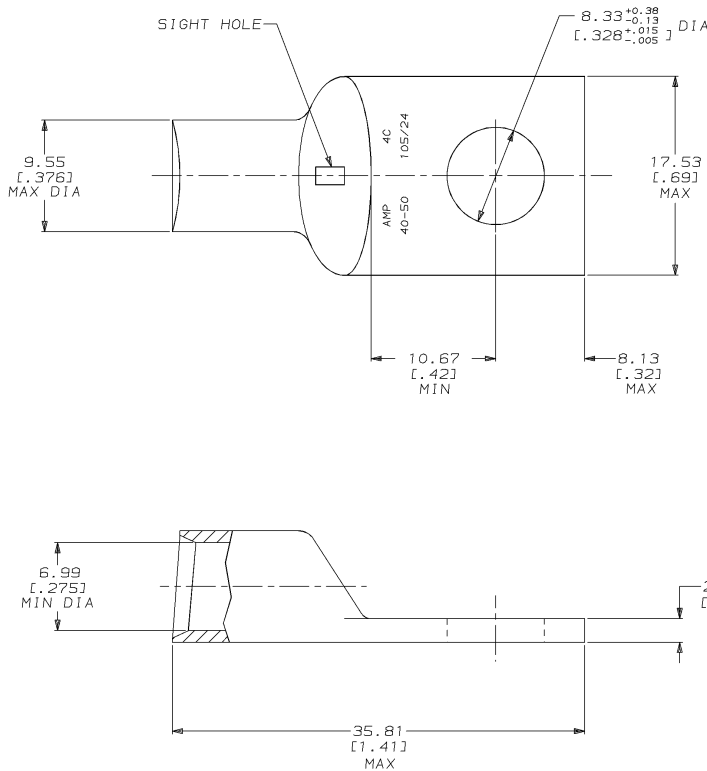


DRAWING MADE IN THIRD ANGLE PROJECTION
 THIS DRAWING IS UNPUBLISHED. RELEASED FOR PUBLICATION
 © COPYRIGHT 19 BY AMP INCORPORATED. ALL INTERNATIONAL RIGHTS RESERVED.

REVISIONS								
LOC	DIST	P	F	ZONE	LTR	DESCRIPTION	DATE	APPD
6	86				S	REV & REDRA PER G-5357	02/28/90	



1 CIRCULAR MIL AREA RANGE: 33,100-52,600 CM
 TIN PL 0.00381 [.000150] MIN THK PER MIL-T-10727

METRIC

DO NOT SCALE PRINT. UNLESS SPECIFIED DIMENSIONS IN mm [INCHES] TOLERANCES ON :		DR 02/28/90 DK SCHRUM	328163 PART NO	
2 PLC DEC # 0.51 (.020)	3 PLC DEC # -	CHK 1SJANGS MS FEHER	AMP AMP INCORPORATED Harrisburg, Pa. 17105 NAME TERMINAL, AMPOWER™, WIRE SIZE: 4 AWG	
ANGLES ± -		APPD 1SJANGS WJ VOCKROTH		
MATERIAL ANNEALED COPPER ASTM B-152		APPD 1SJANGS TL SHUTTER	PRODUCT SPEC 108-30200	
FINISH △	APPLICATION SPEC -	SIZE C	CAGE CODE 00779	DRAWING NO 328163
	WEIGHT .016 LB	SCALE 4:1	SHEET 1 OF 1	