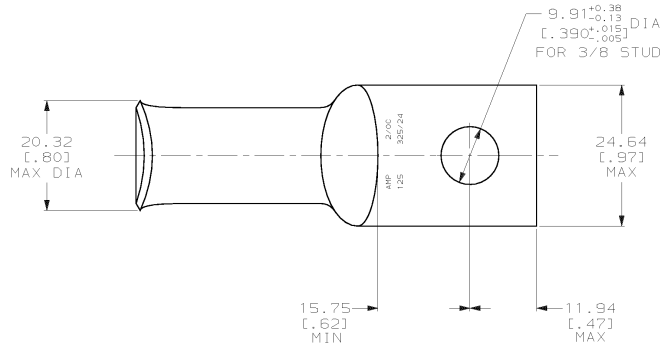
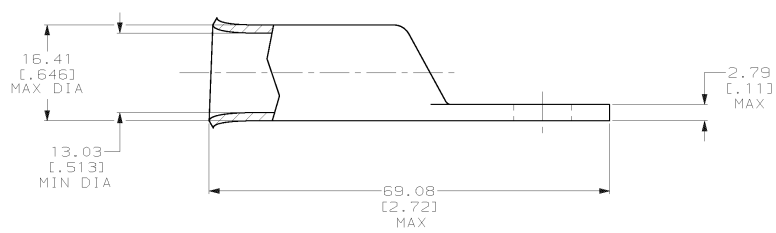


DRAWING MADE IN THIRD ANGLE PROJECTION  
 THIS DRAWING IS UNPUBLISHED. RELEASED FOR PUBLICATION .19  
 © COPYRIGHT 19 BY AMP INCORPORATED. ALL INTERNATIONAL RIGHTS RESERVED.

REVISIONS								
LOC	QTY	P	F	ZONE	LTR	DESCRIPTION	DATE	APPD
6	86				J	REV PER 063A-0561-01	070CT02	MS



1 CIRCULAR MIL RANGE: 119,500-150,500 CM  
 TIN PL 0.00381 [.000150] MIN THK PER MIL-T-10727



**METRIC**

		325410	
		PART NO	
DO NOT SCALE PRINT. UNLESS SPECIFIED DIMENSIONS IN mm (INCHES) TOLERANCES ON: 2 PLC DEC ± 0.51 (.020) 3 PLC DEC ± - ANGLES ± -		DR 02/28/90 DK SCHRUM	
MATERIAL ANNEALED COPPER ASTM B-75		CHK 17JAN95 MS FEHER	
FINISH		APPD 17JAN95 WJ VOCKROTH	
-		APPD 17JAN95 TL SHUTTER	
-		PRODUCT SPEC	
-		APPLICATION SPEC	
-		SIZE	CAGE CODE
-		C	00779
WEIGHT .072 LB		SCALE	DRAWING NO
-		2:1	325410
		SHEET	1 OF 1

**AMP** AMP INCORPORATED  
 Harrisburg, Pa. 17105

NAME  
 TERMINAL, AMPPOWER™  
 WIRE SIZE: 2/0 AWG

CUSTOMER DRAWING

325410

A