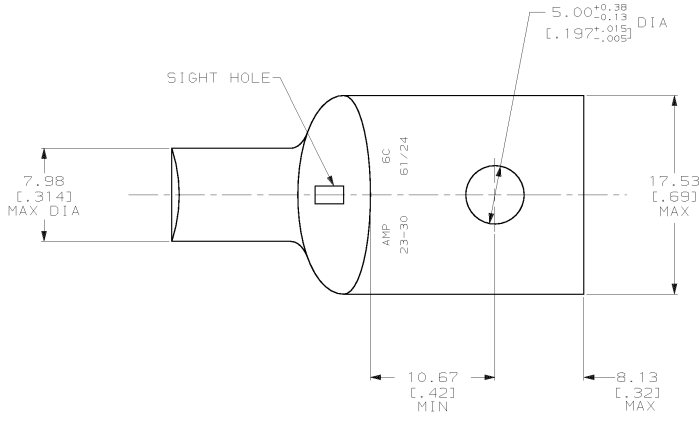
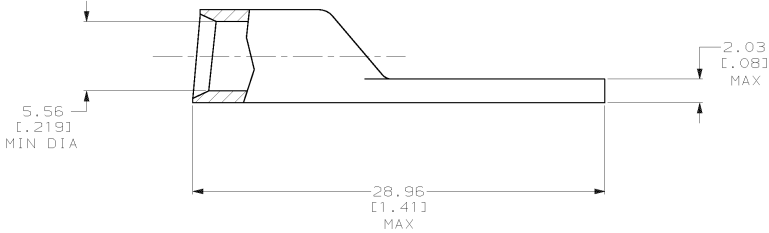


DRAWING MADE IN THIRD ANGLE PROJECTION  
 THIS DRAWING IS UNPUBLISHED. RELEASED FOR PUBLICATION  
 © COPYRIGHT 19 BY AMP INCORPORATED. ALL INTERNATIONAL RIGHTS RESERVED.

LOC		DIST		ZONE		LTR		REVISIONS		DATE	APPD
G	86	P	F					T	REV / 0610-0059-99	26APR99	HE/TH



1 CIRCULAR MIL AREA RANGE: 20,800-33,100 CM  
 TIN PL 0.00381 [0.00150] MIN THK PER ASTM B 545



**METRIC**

DD NOT SCALE PRINT. UNLESS SPECIFIED DIMENSIONS IN mm (INCHES) TOLERANCES ON : 2 PLC DEC ± 0.51 (0.020) 3 PLC DEC ± - ANGLES ± -		DR 03/09/90 DK SCHROM	328141 PART NO	
MATERIAL ANNEALED COPPER ASTM B-152	CHK 19JANGS MS FEHER	APPD 19JANGS WJ VOCKROTH	AMP INCORPORATED Harrisburg, Pa. 17105	
FINISH TIN	PRODUCT SPEC 108-30200	APPD 19JANGS TL SHUTTER	NAME TERMINAL, AMPOWER™, WIRE SIZE: 6 AWG	
WEIGHT .015 LB	APPLICATION SPEC -	SIZE C	CAGE CODE 00779	DRAWING NO 328141
		SCALE 4:1	SHEET	1 OF 1