

4

3

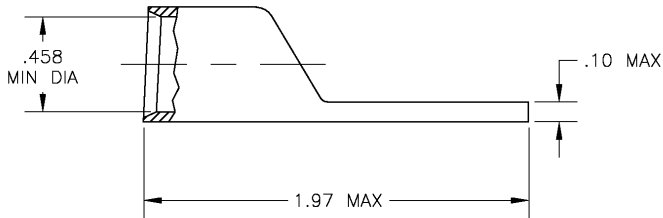
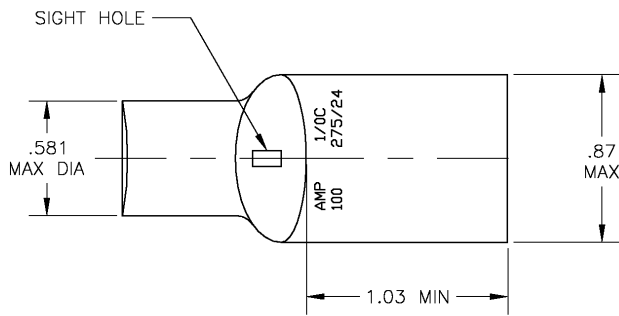
2

1

THIS DRAWING IS UNPUBLISHED. RELEASED FOR PUBLICATION
 © COPYRIGHT - BY TYCO ELECTRONICS CORPORATION. ALL RIGHTS RESERVED.

LOC		DIST		REVISIONS			
P	LTR	DESCRIPTION		DATE	DWN	APVD	
	U	REDRAWN PER 0G3A-0396-04		02JUN04	JR	MS	

- 1 WIRE RANGE IS 83,700-119,500 CMA
- 2 COPPER PER ASTM B-75, ANNEALED
- 3 .000150 MIN TIN PER ASTM B-545



325300
 PART NO

THIS DRAWING IS A CONTROLLED DOCUMENT.		DWN jr ruth 02JUN04	Tyco Electronics Corporation Harrisburg, PA 17105	
DIMENSIONS: INCHES		CHK MJ SPICER 02JUN04	NAME MJ SPICER 02JUN04	
TOLERANCES UNLESS OTHERWISE SPECIFIED:		PRODUCT SPEC	TERMINAL, AMPPOWER, WIRE SIZE: 1/0 AWG	
0 PLC ± -		APPLICATION SPEC	RESTRICTED TO	
1 PLC ± -		WEIGHT .044 LB	SIZE A3	CAGE CODE 00779
2 PLC ± -		CUSTOMER DRAWING	DRAWING NO C-325300	
3 PLC ± .008		SCALE 2:1	SHEET 1 OF 1	
4 PLC ± -			REV U	
ANGLES ± 5°				
MATERIAL -	FINISH -			

AMP 1470-19 REV 31MAR2000