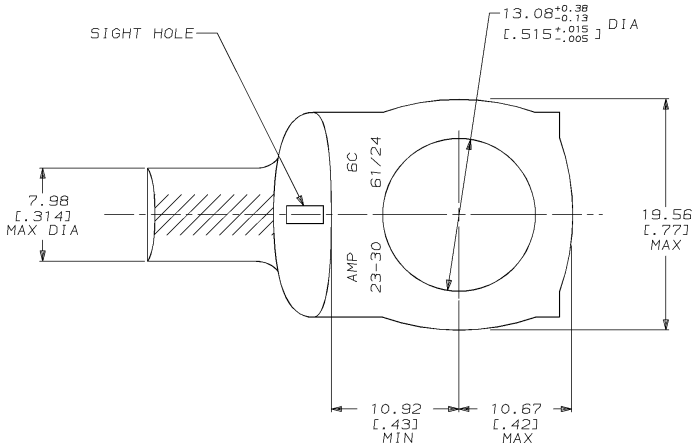
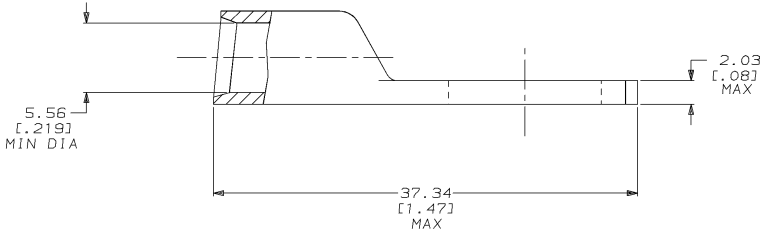


DRAWING MADE IN THIRD ANGLE PROJECTION
 THIS DRAWING IS UNPUBLISHED. RELEASED FOR PUBLICATION
 © COPYRIGHT 19 BY AMP INCORPORATED. ALL INTERNATIONAL RIGHTS RESERVED.

LOC		DIST		ZONE		LTR		REVISIONS		DATE	APPD
6	86	P	F					B	REV & REDRA PER G-5357	02/28/90	05



1 CIRCULAR MIL AREA RANGE: 20,800-33,100 CM
 TIN PL 0.00381 (0.00150) MIN THK PER MIL-T-10727



METRIC

DO NOT SCALE PRINT. UNLESS SPECIFIED DIMENSIONS IN mm (INCHES) TOLERANCES ON: 2 PLC DEC ± 0.51 (0.020) 3 PLC DEC ± - ANGLES ± -		DR 02/28/90 DK SCHRUM	328158 PART NO	
MATERIAL ANNEALED COPPER ASTM B-152	FINISH △	CHK 1SJANGS MS FEHER	APPD 1SJANGS WJ VOCKROTH	AMP INCORPORATED Harrisburg, Pa. 17105
PRODUCT SPEC 108-30200	APPLICATION SPEC -	NAME TERMINAL, AMPOWER™, WIRE SIZE: 6 AWG	SIZE C	CAGE CODE 00779
WEIGHT .014 LB	SCALE 4:1	DRAWING NO 328158	SHEET 1 OF 1	