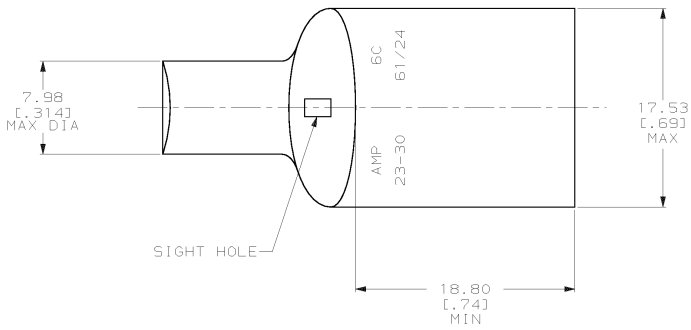
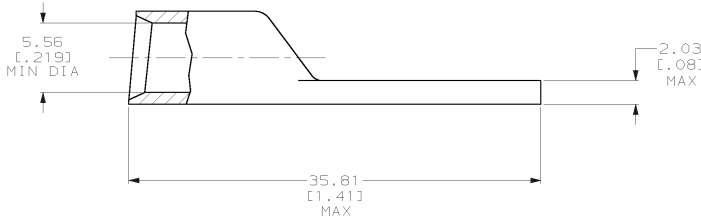


DRAWING MADE IN THIRD ANGLE PROJECTION  
 THIS DRAWING IS UNPUBLISHED. RELEASED FOR PUBLICATION  
 © COPYRIGHT 19 BY AMP INCORPORATED. ALL INTERNATIONAL RIGHTS RESERVED.

REVISONS		DATE	APPD
LOC	Q151		
G	86		
P	F		
ZONE	LTR		
S	REV / 0610-0059-99	26APR99	HE/TH



1 CIRCULAR MIL AREA RANGE: 20,800-33,100 CM  
 △ TIN PL 0.00381 [0.00150] THK PER ASTM B 545



**METRIC**

328140 PART NO		AMP INCORPORATED Harrieburg, Pa. 17105	
DD NOT SCALE PRINT. UNLESS SPECIFIED DIMENSIONS IN mm (INCHES) TOLERANCES ON : 2 PLC DEC ± 0.51(.020) 3 PLC DEC ± - ANGLES ± -		DR 02/28/90 DK SCHIRM CHK 19JANGS MS FEHER APPD 19JANGS WJ VOCKROTH	
MATERIAL ANNEALED COPPER ASTM B-152		NAME TERMINAL, AMPOWER™, WIRE SIZE: 6 AWG	
FINISH △		APPD 19JANGS TL SHUTTER PRODUCT SPEC 108-30200	
APPLICATION SPEC -		SIZE <b>C</b>	CAGE CODE 00779
WEIGHT .017 LB		DRAWING NO 328140	SHEET 1 OF 1
		SCALE 4:1	

328140

A