

4

3

2

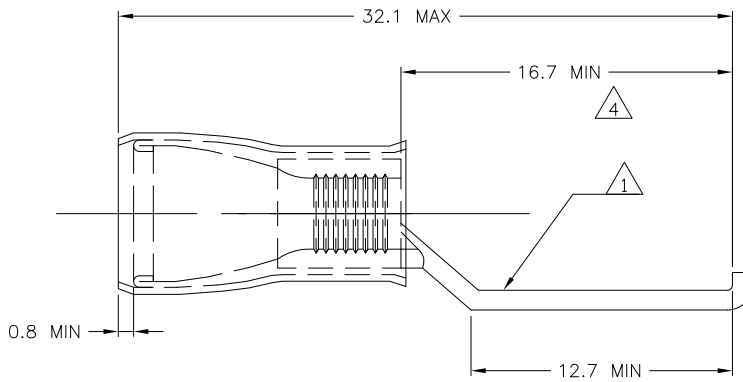
1

THIS DRAWING IS UNPUBLISHED. RELEASED FOR PUBLICATION
 © COPYRIGHT - BY TYCO ELECTRONICS CORPORATION. ALL RIGHTS RESERVED.

LOC	DIST	REVISIONS			
P	LTR	DESCRIPTION	DATE	DWN	APVD
G	14				
	D2	REV PER ECR 08-013956	04JUN08	JR	TM

AMP
WIRE RANGE

12-10 AWG
SOLID OR STRANDED



- 1 STAMP AMP 12-10, LOCATE APPROX AS SHOWN.
- 2 BODY - COPPER PER ASTM B-152 SLEEVE - COPPER PER ASTM B-152 INSULATION - NYLON
- 3 BODY - TIN PLATE PER ASTM B-545 SLEEVE - TIN PLATE PER ASTM B-545 INSULATION - COLOR, BLACK
- 4 DIMENSION APPLIES FROM EDGE OF METAL WIRE BBL TO FLANGE.
- 5 WIRE INSULATION DIA 3.8-6.4
- 6 TONGUE MATERIAL THK 1.07 MAX
- 7 FLANGE WIDTH 4.6

500	LOOSE PC	151471
QTY	DESCRIPTION	PART NO

AMP INCORPORATED
CUSTOMER SERVICE SYSTEMS

FOR ADDITIONAL PRODUCT INFORMATION OR COPIES OF DRAWINGS AND TECHNICAL DOCUMENTS
 PRODUCT INFORMATION CENTER
 1-800-522-6752

FOR APPLICATION TOOLING ASSISTANCE CENTER
 TOOLING INFORMATION
 1-800-722-1111

FOR ORDER ENTRY
 1-800-526-5142

MAX RECOMMENDED OPERATING TEMPERATURE:
105°C

VOLTAGE RATING:
300V MAX

CIRCULAR MIL AREA:
2.62-6.64mm² [5180-13100]
SOLID OR STRANDED

THIS DRAWING IS A CONTROLLED DOCUMENT FOR AMP INCORPORATED. IT IS SUBJECT TO CHANGE AND THE CONTROLLING ENGINEERING ORGANIZATION SHOULD BE CONTACTED FOR THE LATEST REVISION.

THIS DRAWING IS A CONTROLLED DOCUMENT.

DIMENSIONS:	TOLERANCES UNLESS OTHERWISE SPECIFIED:
mm	0 PLC ± -
	1 PLC ± -
	2 PLC ± 0.20
	3 PLC ± -
	4 PLC ± -
	ANGLES ± -

MATERIAL: - 2 FINISH: - 3

DWN	JR RUTH	23FEB2006	Tyco Electronics	Tyco Electronics Corporation Harrisburg, PA 17105-3608								
CHK	T. MICHELUTTI	23FEB06		NAME	TERMINAL, LIPPED BLADE, P.I.D.G., WIRE SIZE: 12-10 AWG							
APVD	T. MICHELUTTI	23FEB06	SIZE	A3	CAGE CODE	00779	DRAWING NO	151471	RESTRICTED TO	-		
PRODUCT SPEC	-	-	WEIGHT	-	CUSTOMER DRAWING		SCALE	5:1	SHEET	1 OF 1	REV	D2

AMP 1470-19 REV 31MAR2000