

4

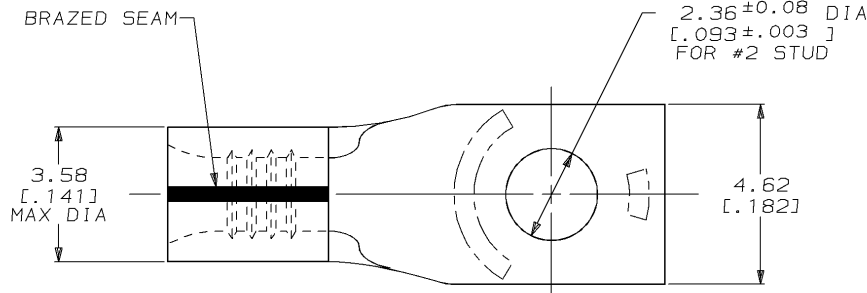
3

2

1

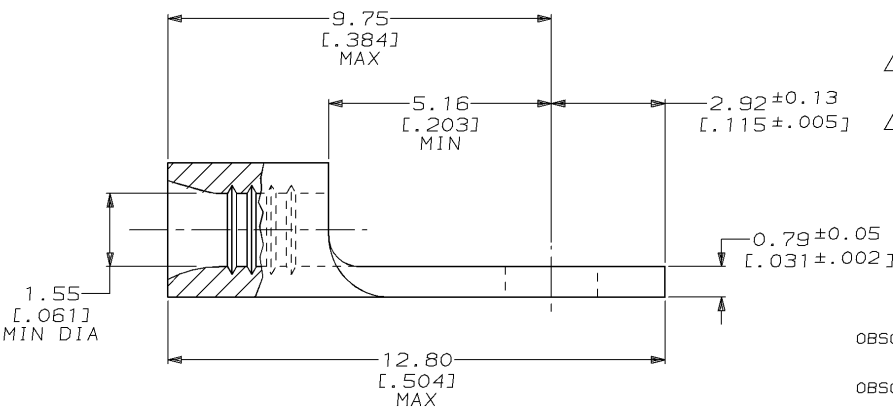
THIS DRAWING IS UNPUBLISHED. RELEASED FOR PUBLICATION
 © COPYRIGHT 19 BY AMP INCORPORATED. ALL RIGHTS RESERVED.

LOC	DIST	REVISIONS			
P	LTR	DESCRIPTION	DATE	DWN	APVD
G	14	E REACT & REDWN PER 0720-0869-96	14FEB96	DKS	MJS



AMP WIRE RANGE	UL E13288 Listed
22-16 AWG SOLID OR STRANDED	22-16 AWG SOLID OR STRANDED
SEI LR7189 Certified	MILITARY P/N AND CLASS
22-16 AWG SOLID OR STRANDED	NOT APPLICABLE

- ① STAMP AMP 22-18* 1-2 APPROX AS SHOWN
22-16 TERMINALS ARE STAMPED WITH 22-18 IN
ACCORDANCE WITH MILITARY SPEC MIL-T-7928
COMMERCIAL WIRE RANGE IS 22-16
- ② TIN PL 0.00254 [.000100] MIN THK
PER MIL-T-10727
- ③ GOLD PL 0.00254 [.000100] MIN THK
PER MIL-G-45204 OVER NICKEL PL
0.00127 [.000050] MIN THK PER QQ-N-290



OBSOLETE		5000	MOUNTED ON TAPE, REEL	2-324576-2
OBSOLETE		-	LOOSE PIECE	324576-1
OBSOLETE		-	LOOSE PIECE	324576
	FINISH	QTY	PACKAGE TYPE	AMP PART NUMBER

**AMP INCORPORATED
CUSTOMER SERVICE SYSTEMS**

FOR ADDITIONAL PRODUCT INFORMATION OR COPIES OF DRAWINGS AND TECHNICAL DOCUMENTS	PRODUCT INFORMATION CENTER 1-800-522-6752	RECOMMENDED OPERATING TEMPERATURE: 170° MAX
FOR APPLICATION TOOLING INFORMATION	TOOLING ASSISTANCE CENTER 1-800-722-1111	VOLTAGE RATING: NOT APPLICABLE
FOR ORDER ENTRY	1-800-526-5142	WIRE CROSS SECTIONAL AREA RANGE: 0.26-1.65mm ² (509-3,260) CIR MILS STRANDED

THIS DRAWING IS A CONTROLLED DOCUMENT FOR AMP INCORPORATED. IT IS SUBJECT TO CHANGE AND THE CONTROLLING ENGINEERING ORGANIZATION SHOULD BE CONTACTED FOR THE LATEST REVISION.	
DIMENSIONS: mm (INCHES)	TOLERANCES UNLESS OTHERWISE SPECIFIED:
	0 PLC ±-
	1 PLC ±-
	2 PLC ±0.20 (.008)
	3 PLC ±-
	4 PLC ±-
	ANGLES ±-
MATERIAL: COPPER PER ASTM B-152 ANNEALED	FINISH: SEE TABLE

DWN: DK SCHRUM 14FEB96	AMP Incorporated Harrisburg, PA 17105-3608
CHK: MJ SPICER 19FEB96	NAME: TERMINAL, RECTANGULAR TONGUE, SOLISTRAND™, WIRE SIZE: 22-16 AWG
APVD: JL MECKLEY 19FEB96	
PRODUCT SPEC: -	SIZE: A3
APPLICATION SPEC: -	CAGE CODE: 00779
WEIGHT: -	DRAWING NO: C-324576
CUSTOMER DRAWING	SCALE: 10:1 SHEET: 1 OF 1 REV: E