

4

3

2

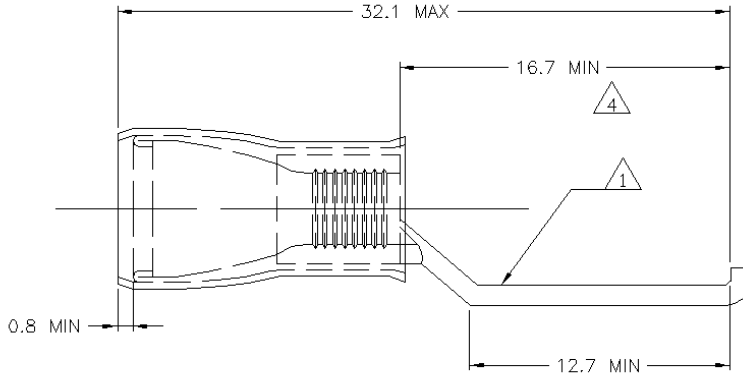
1

THIS DRAWING IS UNPUBLISHED. RELEASED FOR PUBLICATION  
 © COPYRIGHT BY TYCO ELECTRONICS CORPORATION. ALL RIGHTS RESERVED.

LOC	DIST	REVISIONS			
P	LTR	DESCRIPTION	DATE	BY	APPD
G	14	C1	REV PER ECR 06-018475	02AUG06	JR TM

**AMP**  
WIRE RANGE

12-10 AWG  
SOLID OR STRANDED



- 1 STAMP AMP 12-10\*, LOCATE APPROX AS SHOWN.
- 2 BODY - COPPER PER ASTM B-152 SLEEVE - COPPER PER ASTM B-152 INSULATION - NYLON
- 3 BODY - TIN PLATE PER ASTM B-545 SLEEVE - TIN PLATE PER ASTM B-545 INSULATION - COLOR, YELLOW
- 4 DIMENSION APPLIES FROM EDGE OF METAL WIRE BBL TO FLANGE.
- 5 WIRE INSULATION DIA 3.8-6.4
- 6 TONGUE MATERIAL THK 1.07 MAX
- 7 FLANGE WIDTH 4.6

500	LOOSE PC	151795
QTY	DESCRIPTION	PART NO
Tyco Electronics Corporation Harrisburg, PA 17105-3608		
NAME: TERMINAL, LIPPED BLADE, P.I.D.G., WIRE SIZE: 12-10 AWG		
SIZE	CASE CODE	DRAWING NO
A3	00779	C-151795
CUSTOMER DRAWING		RESTRICTED TO
SCALE: 5:1		SHEET 1 OF 1
REV: C1		

AMP INCORPORATED CUSTOMER SERVICE SYSTEMS		MAX RECOMMENDED OPERATING TEMPERATURE: 105°C	THIS DRAWING IS A CONTROLLED DOCUMENT.
FOR ADDITIONAL PRODUCT INFORMATION OR COPIES OF DRAWINGS AND TECHNICAL DOCUMENTS	PRODUCT INFORMATION CENTER 1-800-522-6752	VOLTAGE RATING: 300V MAX	DIMENSIONS: mm
FOR APPLICATION	TOOLING ASSISTANCE CENTER 1-800-722-1111	CIRCULAR MIL AREA: 2.62-6.64mm <sup>2</sup> (5180-13100) SOLID OR STRANDED	
TOOLING INFORMATION			TOLERANCES UNLESS OTHERWISE SPECIFIED: 0 PLC ± - 1 PLC ± - 2 PLC ± 0.20 3 PLC ± - 4 PLC ± - ANGLES ± -
FOR ORDER ENTRY	1-800-526-5142	MATERIAL: - 2 FINISH: - 3	
THIS DRAWING IS A CONTROLLED DOCUMENT FOR AMP INCORPORATED. IT IS SUBJECT TO CHANGE AND THE CONTROLLING ENGINEERING ORGANIZATION SHOULD BE CONTACTED FOR THE LATEST REVISION.			

AMP 1470-19 REV 31MAR2000