

4

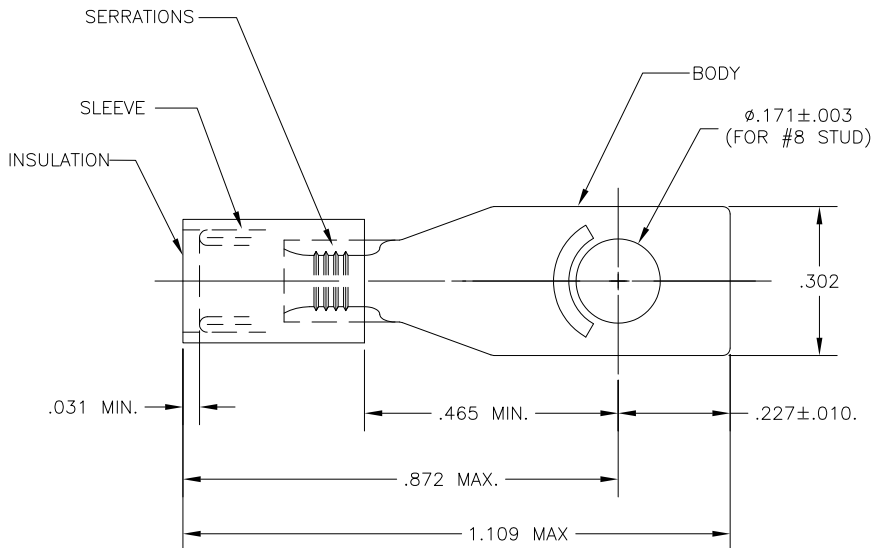
3

2

1

THIS DRAWING IS UNPUBLISHED. RELEASED FOR PUBLICATION  
 © COPYRIGHT - BY TYCO ELECTRONICS CORPORATION. ALL INTERNATIONAL RIGHTS RESERVED.

LOC	DIST	REVISIONS			
P	LTR	DESCRIPTION	DATE	DWN	APVD
G	02				
	K3	REVISED PER ECR-09-026553	04DEC09	JR	TM



- △1 SUPERSEDED BY 327944
- 2 TONGUE MATERIAL THK=.031±.002 FOR .105 TO .140 WIRE INS. DIA
- 3 MARKING 22-18 FOR MILITARY COMMERCIAL RANGE 22-16
- △4 MEETS MS17143-7, CLASS 1 & 2
- △5 MEETS MS17143-7, CLASS 2

100	LOOSE PC. BOX	8-327944-1	INSULATION SLEEVE, BODY: SAME AS 327944
△1 5000	2-327944-1 ON TAPE	2-327944-3	INSULATION: VINYL COLOR: RED BODY&SLEEVE: COPPER ASTM B-152 TIN PL ASTM B-545
△1 1000	WIRE TERMINAL	2-327944-1	
△1 5000	327944 ON TAPE	2-327944-2	△5 INSULATION: NYLON COLOR: RED SLEEVE: COPPER ASTM B-152 BODY: COPPER ASTM B-152 TIN PL ASTM B-545
1000	WIRE TERMINAL	327944	△4
QTY	DESCRIPTION	PART NO	MATERIAL & FINISH

THIS DRAWING IS A CONTROLLED DOCUMENT.		DWN	OS/JUN08	Tyco Electronics		Tyco Electronics Corporation	
DIMENSIONS: INCHES		CHK	OS/JUN08	T. MICHELUTTI		Harrisburg, PA 17105-3608	
TOLERANCES UNLESS OTHERWISE SPECIFIED:		APVD	OS/JUN08	T. MICHELUTTI		NAME	
0 PLC ± -		PRODUCT SPEC		WIRE TERMINAL, PIDG,		RECTANGULAR TONGUE WIRE SIZE : 22-16	
1 PLC ± -		APPLICATION SPEC		SIZE		CAGE CODE	
2 PLC ± -		WEIGHT		A3		00779	
3 PLC ± .008		CUSTOMER DRAWING		DRAWING NO		C-327944	
4 PLC ± -		SCALE		SHEET		1 OF 1	
5 ANGLES ± 5°		RESTRICTED TO		REV		K3	
MATERIAL	FINISH	SCALE		SHEET		REV	
SEE TABLE	SEE TABLE	5:1		1 OF 1		K3	