

4

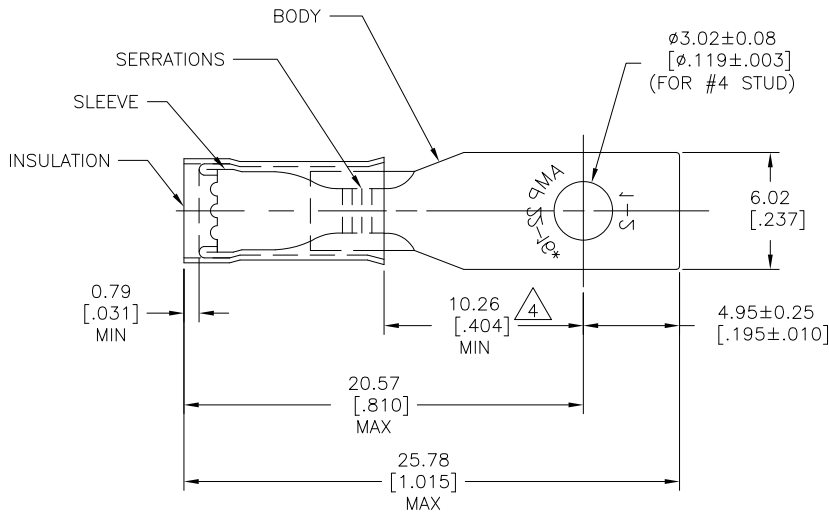
3

2

1

THIS DRAWING IS UNPUBLISHED. RELEASED FOR PUBLICATION
 © COPYRIGHT - BY TYCO ELECTRONICS CORPORATION. ALL INTERNATIONAL RIGHTS RESERVED.

LOC	DIST	REVISIONS				
P	LTR	DESCRIPTION	DATE	DWN	APVD	
G	14					
		K2 REVISED PER ECR-09-026553	04DEC09	JR	TM	



- 1 TONGUE MATERIAL THK = 0.79±0.05[.031±.002]
- 2 FOR 2.67[.105] TO 3.56[.140] WIRE INSULATION DIA
- 3 MARKING 22-18 FOR MILITARY COMMERCIAL RANGE 22-16
- 4 APPLIES FROM THE METAL EDGE OF THE BARREL TO THE CENTER OF THE STUD
- 5 MEETS MS17143-16, CLASS 1 & 2

OBSOLETE	1	2-327962-1 ON TAPE	BODY & SLEEVE: COPPER (ASTM-B152) TIN PL (ASTM-B545)	2-327962-3
OBSOLETE		WIRE TERMINAL	INSULATION: NYLON (ASTM-D4066) TYPE 1, COLOR: RED	2-327962-1
OBSOLETE	1	327962 ON TAPE	BODY: COPPER (ASTM-B152) TIN PL (ASTM-B545)	2-327962-2
		WIRE TERMINAL	SLEEVE: COPPER (ASTM-B152) INSULATION: NYLON COLOR: RED	5 327962
	QTY	DESCRIPTION	MATERIAL & FINISH	PART NO

THIS DRAWING IS A CONTROLLED DOCUMENT.		DWN RAGHAVENDRA 01SEP09	Tyco Electronics Corporation Harrisburg, PA 17105-3608	
DIMENSIONS: mm [INCHES]		CHK JEFF RUTH 01SEP09	NAME TOM MICHIELUTTI	
TOLERANCES UNLESS OTHERWISE SPECIFIED:		APVD TOM MICHIELUTTI 01SEP09	PRODUCT SPEC	
0 PLC ± -		APPLICATION SPEC		
1 PLC ± -		SIZE A3		
2 PLC ± -		CAGE CODE 00779		
3 PLC ± 0.20 [.008]		DRAWING NO C-327962		
4 PLC ± -		RESTRICTED TO		
ANGLES ± 5°		CUSTOMER DRAWING		
MATERIAL SEE TABLE	FINISH SEE TABLE	WEIGHT	SCALE 5:1	SHEET 1 OF 1 REV K2