

4

3

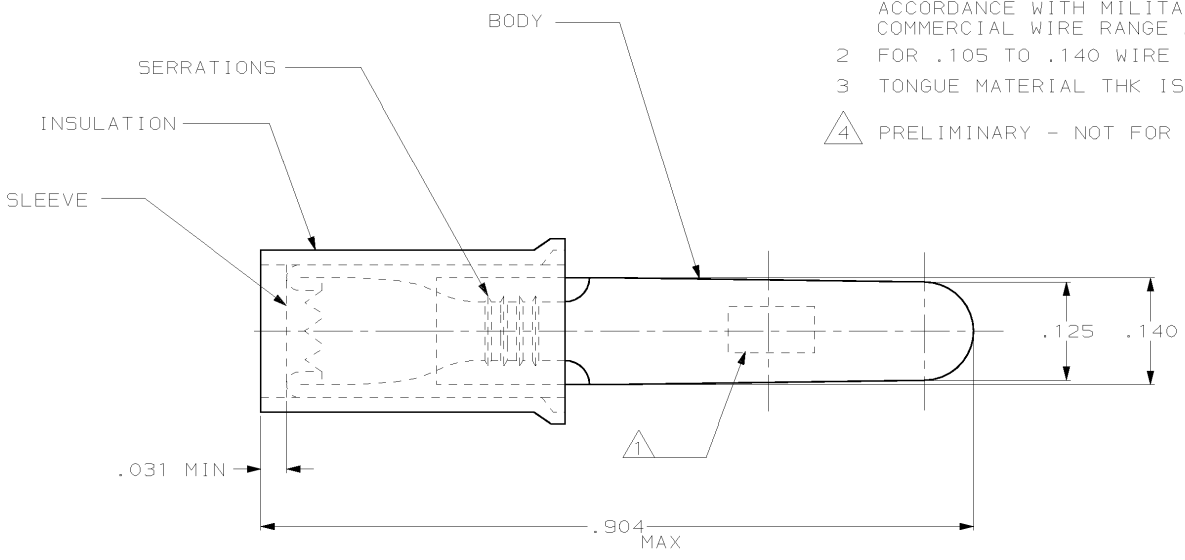
2

1

THIS DRAWING IS UNPUBLISHED. RELEASED FOR PUBLICATION .19 . . .
 © COPYRIGHT 19 BY AMP INCORPORATED. ALL RIGHTS RESERVED.

LOC	DIST	REVISIONS				
P	LTR	DESCRIPTION	DATE	DWN	APVD	
G	14	J	REDRAWN PER 0G3A-0249-01	03APR01	JR	TM

- 1 STAMPED AMP 22-18*, APPROX AS SHOWN. 22-16 TERMINALS ARE STAMPED 22-18 IN ACCORDANCE WITH MILITARY SPEC MIL-T-7928 COMMERCIAL WIRE RANGE 22-16
- 2 FOR .105 TO .140 WIRE INSULATION DIA.
- 3 TONGUE MATERIAL THK IS .031±.002.
- 4 PRELIMINARY - NOT FOR PRODUCTION



100	LOOSE PIECE, BOX	8-34294-1	BODY: COPPER PER ASTM B152 TIN PLATE PER ASTM B545
5000	ON TAPE, REEL	2-34294-1	SLEEVE: COPPER PER ASTM B152 TIN PLATE PER ASTM B545
1000	LOOSE PIECE	34294	INSULATION: NYLON, COLOR - RED
QTY	PACKAGE TYPE	PART NO.	MATERIAL & FINISH
THIS DRAWING IS A CONTROLLED DOCUMENT.			DWN JR RUTH 03APR01
			CHK MS FEHER 03APR01
			APVD T MICHELUTTI 03APR01
DIMENSIONS: INCHES		TOLERANCES UNLESS OTHERWISE SPECIFIED.	
0 PLC ±-		1 PLC ±-	
1 PLC ±-		2 PLC ±-	
2 PLC ±-.008		3 PLC ±-	
3 PLC ±-		4 PLC ±-	
4 PLC ±-		ANGLES ±5°	
MATERIAL	FINISH	SIZE	CAGE CODE
-	-	A3	00779
CUSTOMER DRAWING		DRAWING NO	RESTRICTED TO
		34294	-
		SCALE 8:1	SHEET 1 OF 1
		REV	J

AMP 1470-19 REV 11 JUN97

03-APR-01 14:21:05 amp13469 /home/amp13469/u.new