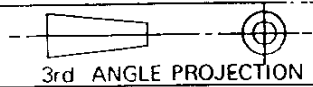


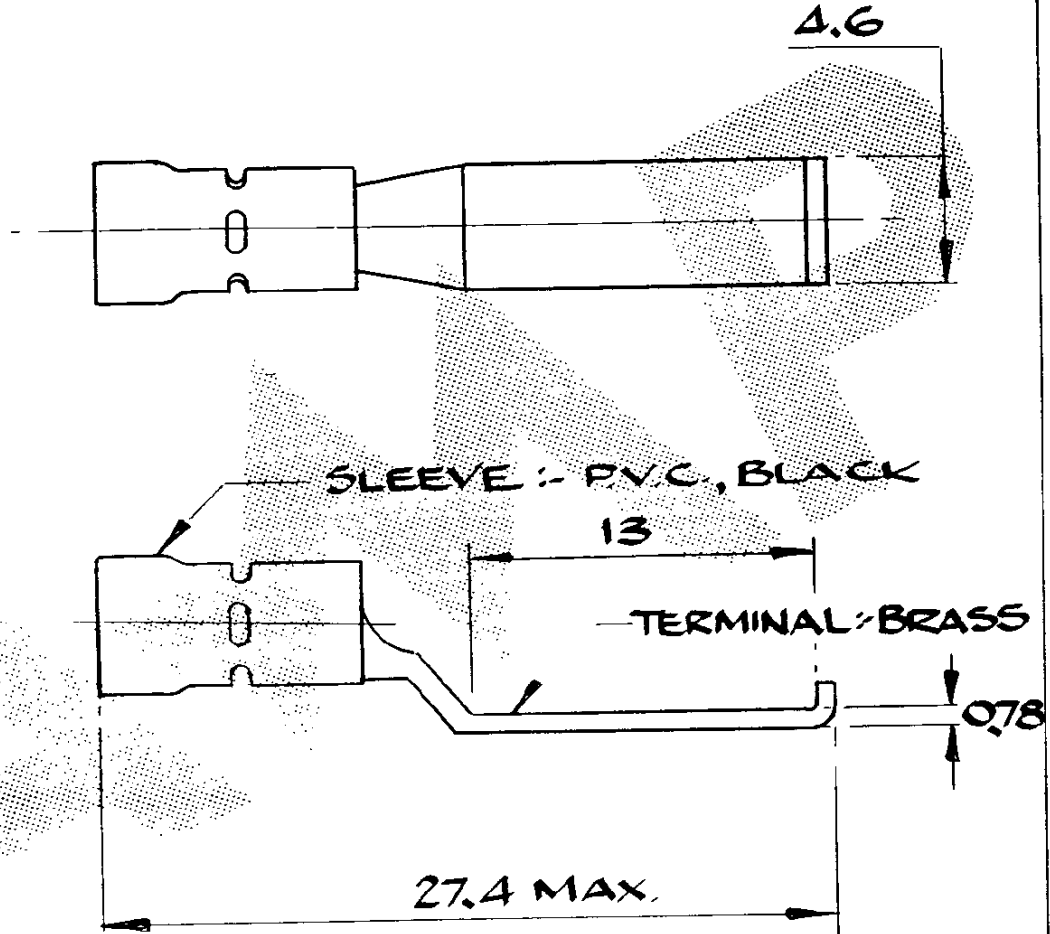
DO NOT SCALE

DIMENSIONS IN mm

METRIC



NUMBER  
C151467



SEE ABOVE 151467-0

OTHER TREATMENT

FINISH

MATERIAL

PART NUMBER

CUSTOMER DWG  
FOR REFERENCE ONLY

THIS DRAWING IS UNCLASSIFIED

RELEASED FOR PUBLICATION 24-4-2001

COPYRIGHT © 1991 BY AMP LTD, GREAT BRITAIN LTD. ALL INTERNATIONAL RIGHTS RESERVED. AMP PATENTS MAY BE COVERED BY BRITISH AND FOREIGN PATENTS AND/OR PATENTS PENDING.

TOLERANCES  
UNLESS OTHERWISE  
STATED -  
DFC ± 0.5  
ANGLES ± 1°

INS DIA RANGE WIRE RANGE SCALE  
22-16 4:1

**AMP** TERMINAL HOUSE  
STANMORE  
of Great Britain Ltd MIDD.

D EBR0-0426-96 RECEIVED 3.4.98

C OBSOLETE EBR0-0507-95 DR 3.12.98

B REDRAWN R. 2449

DR DR. TERRY

CHK W. Wilson

NAME LIPPED BLADE  
TERMINAL ASSY

A4 LOC DWG NO SHEET  
E C151467 1 of 1

PRINT DIST

ISS REVISION RECORD DR DATE APP

BARQUE 6989 91