

4

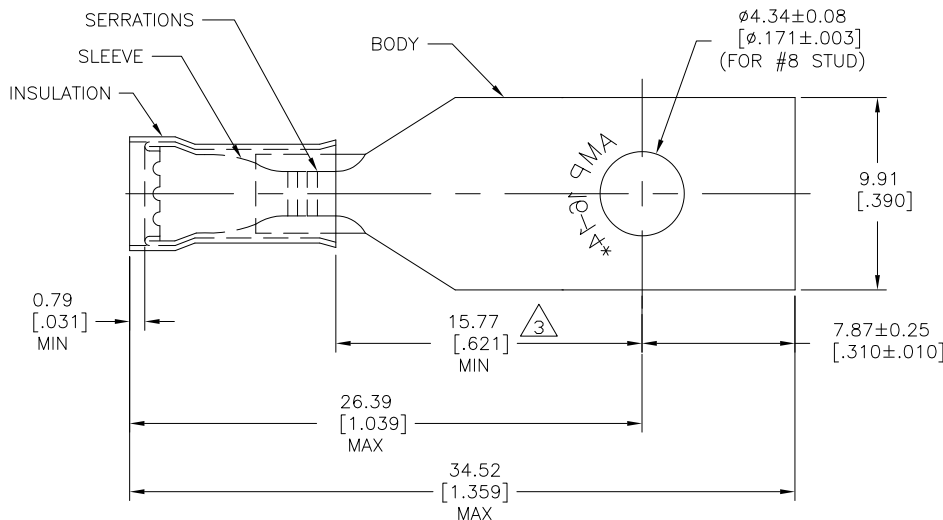
3

2

1

THIS DRAWING IS UNPUBLISHED. RELEASED FOR PUBLICATION
 © COPYRIGHT - BY TYCO ELECTRONICS CORPORATION. ALL INTERNATIONAL RIGHTS RESERVED.

LOC	DIST	REVISIONS			
P	LTR	DESCRIPTION	DATE	DWN	APVD
G	14				
	J2	REVISED PER ECR-09-026553	04DEC09	JR	TM



- 1 TONGUE MATERIAL THK: 0.79±0.05[.031±.002]
- 2 FOR "A" TO "B" WIRE INSULATION DIA.
- 3 APPLIES FROM THE METAL EDGE OF THE BARREL TO THE CENTER OF THE STUD
- 4 MEETS MS17143-2, CLASS 1 & 2

OBSOLETE	1	WIRE TERMINAL	INSULATION: NYLON (ASTM-D4066) TYPE 1 COLOR: BLUE BODY & SLEEVE: COPPER (ASTM-B152) TIN PL (ASTM-B545)	2-327934-1
OBSOLETE	1	2-327934-2 ON TAPE	INSULATION: NYLON COLOR: BLUE	2-327934-3
	1	WIRE TERMINAL	SLEEVE: COPPER (ASTM-B152) BODY: COPPER (ASTM-B152)	4 2-327934-2
OBSOLETE	1	WIRE TERMINAL	TIN PL (ASTM-B545)	327934
	QTY	DESCRIPTION	MATERIAL AND FINISH	PART NO

2-327934-2	4	2-327934-3	2.67[.105]	3.81[.150]	
2-327934-1			2.92[.115]	4.32[.170]	OBSOLETE
327934			2.92[.115]	4.32[.170]	OBSOLETE
PART NO	PART NO ON TAPE	"A"	"B"		

THIS DRAWING IS A CONTROLLED DOCUMENT.

DIMENSIONS: mm [INCHES]	TOLERANCES UNLESS OTHERWISE SPECIFIED:	DWN RAGHAVENDRA 01SEP09	Tyco Electronics Corporation Harrisburg, PA 17105-3608	
	0 PLC ± -	CHK JEFF RUTH 01SEP09	NAME TOM MICHIELUTTI	
	1 PLC ± -	APVD TOM MICHIELUTTI 01SEP09	PRODUCT SPEC	
	2 PLC ± -	APPLICATION SPEC	WIRE TERMINAL, PIDG, RECTANGULAR TONGUE, WIRE SIZE: 16-14	
	3 PLC ± 0.20 [.008]	WEIGHT	SIZE A3	CAGE CODE 00779
4 PLC ± -	FINISH	RESTRICTED TO		
ANGLES ± 5°		CUSTOMER DRAWING		
MATERIAL SEE TABLE	SEE TABLE	SCALE 5:1 SHEET 1 OF 1 REV J2		