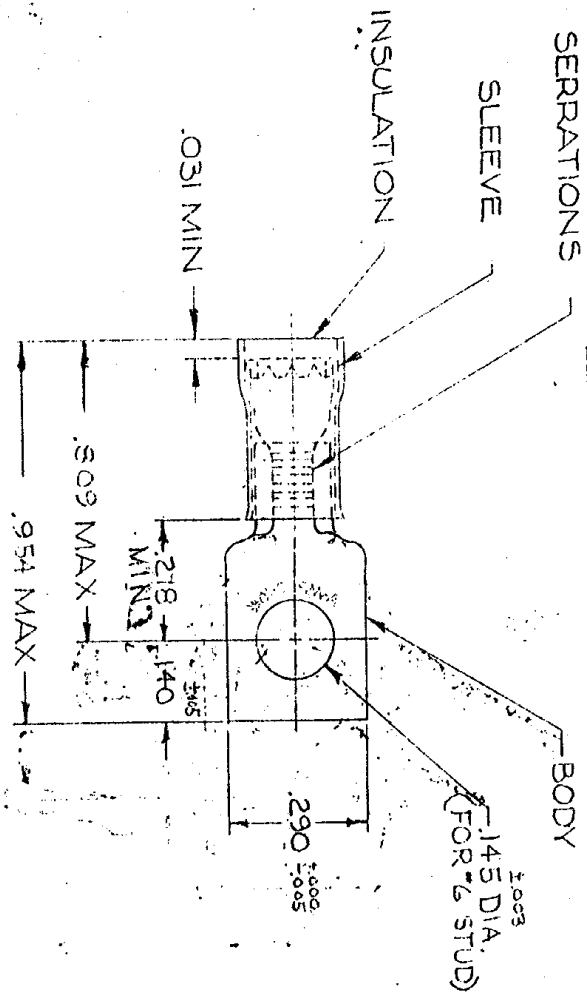


04512

DRAWING MADE IN AMERICAN PROJECTION
 © 1954 BY AMP INCORPORATED. ALL RIGHTS RESERVED. AMP PRODUCTS COVERED BY PATENTS AND/OR PATENTS PENDING.

REVISIONS		LOC	PRINT
LTR	DESCRIPTION	DATE	APPROVED
A	REDRAWN & REVISED	5-5-70	ACY
B	REV PER	5-4-72	JT
C	REV PER	5-5-76	DKS
		12/79	MD



TONGUE MATERIAL THK = .040
 FOR .150 TO .230 WIRE, INS. DIA

QTY	DESCRIPTION	PART NO.	CONTRACT NO.	UNLESS OTHERWISE SPECIFIED DIMENSIONS ARE IN INCHES ON DECIMALS ± .005 ANGLES ± 5°
1	WIRE TERMINAL	34 512	4-2-3-70	
			DR. <i>[Signature]</i>	
			CHK. <i>[Signature]</i>	
			APPD. <i>[Signature]</i>	
			REL. <i>[Signature]</i>	
			DSGN APPD.	
			OTHER APPD.	

INSULATIC: NYLONCOLOR: YELLOW	AMP INCORPORATED
SLEEVE: COPPER (00-C-576)	HARRISBURG, PENNSYLVANIA
BODY: COPPER (00-C-576)	
TIN PL (MIL-T-10727)	
MATERIAL & FINISH	
NAME: WIRE TERMINAL	
PI.DG. - RECTANGULAR TONGUE	
WIRE SIZE: 12-10	
SIZE: A	
CODE IDENT. NO.: 00779	
NUMBER: 34512	
SCALE: NTS	
CUSTOMER DRAWING	