

4

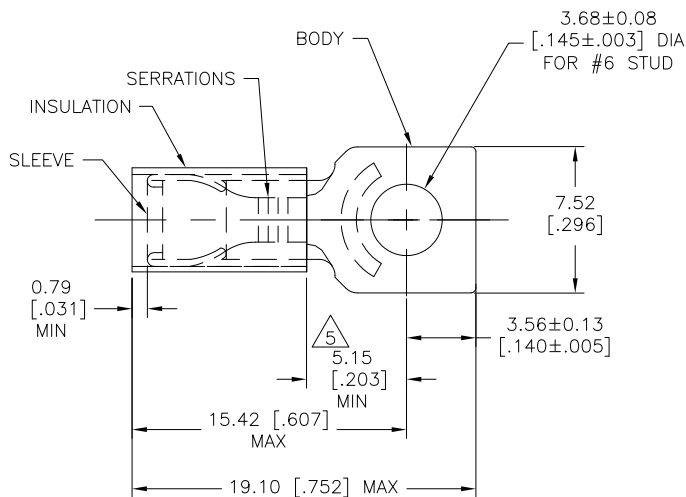
3

2

1

THIS DRAWING IS UNPUBLISHED. RELEASED FOR PUBLICATION  
 © COPYRIGHT - BY TYCO ELECTRONICS CORPORATION. ALL INTERNATIONAL RIGHTS RESERVED.

LOC	DIST	REVISIONS				
P	LTR	DESCRIPTION	DATE	DWN	APVD	
G	14	F1	REV PER ECR 09-023200	27OCT09	JR	TM



- 1 WIRE INSULATION DIA = 2.67 [.105] - 3.81 [.150]
- 2 TONGUE MATERIAL THK = 0.79±0.05 [.031±.002]
- 3 0.00254 [.000100] MIN THK. TIN PLATE ASTM-B545
- 4 MATERIAL:  
INSULATION: NYLON - BLUE  
BODY & SLEEVE: COPPER (ASTM-B152)
- 5 APPLIES FROM EDGE OF METAL BARREL TO THE CENTERLINE OF THE STUD.

OBSOLETE	QTY	DESCRIPTION	PART NO
5000		ON TAPE, REEL	2-33168-1
-		LOOSE PIECE	33168

## CUSTOMER SERVICE SYSTEMS

MAX RECOMMENDED OPERATING TEMPERATURE:  
105°C [221° F]

VOLTAGE RATING:  
300V MAX

CIRCULAR MIL AREA:  
1.04-2.62mm² [2,050-5,180]  
SOLID OR STRANDED

FOR ADDITIONAL PRODUCT INFORMATION OR COPIES OF DRAWINGS AND TECHNICAL DOCUMENTS

PRODUCT INFORMATION CENTER  
1-800-522-6752

FOR APPLICATION TOOLING INFORMATION

TOOLING ASSISTANCE CENTER  
1-800-722-1111

FOR ORDER ENTRY

1-800-526-5142

THIS DRAWING IS A CONTROLLED DOCUMENT FOR AMP INCORPORATED. IT IS SUBJECT TO CHANGE AND THE CONTROLLING ENGINEERING ORGANIZATION SHOULD BE CONTACTED FOR THE LATEST REVISION.

THIS DRAWING IS A CONTROLLED DOCUMENT.

DIMENSIONS:

mm [INCHES]



TOLERANCES UNLESS OTHERWISE SPECIFIED:

0 PLC ± -  
1 PLC ± -  
2 PLC ± -  
3 PLC ± 0.20[.008]  
4 PLC ± -  
ANGLES ± 0° 30'

MATERIAL



FINISH

BODY



DWN	jr_ruth	13JUL09	Tyco Electronics Corporation Harrisburg, PA 17105-3608		
CHK	TOM MICHIELUTTI	13JUL09	Tyco Electronics		
APVD	TOM MICHIELUTTI	13JUL09	NAME		
PRODUCT SPEC			TERMINAL PIDG, RECTANGULAR WIRE SIZE: 16-14		
APPLICATION SPEC			SIZE	CAGE CODE	DRAWING NO
WEIGHT			A3	00779	C-33168
CUSTOMER DRAWING			SCALE	SHEET	REV
			5:1	1 OF 1	F1