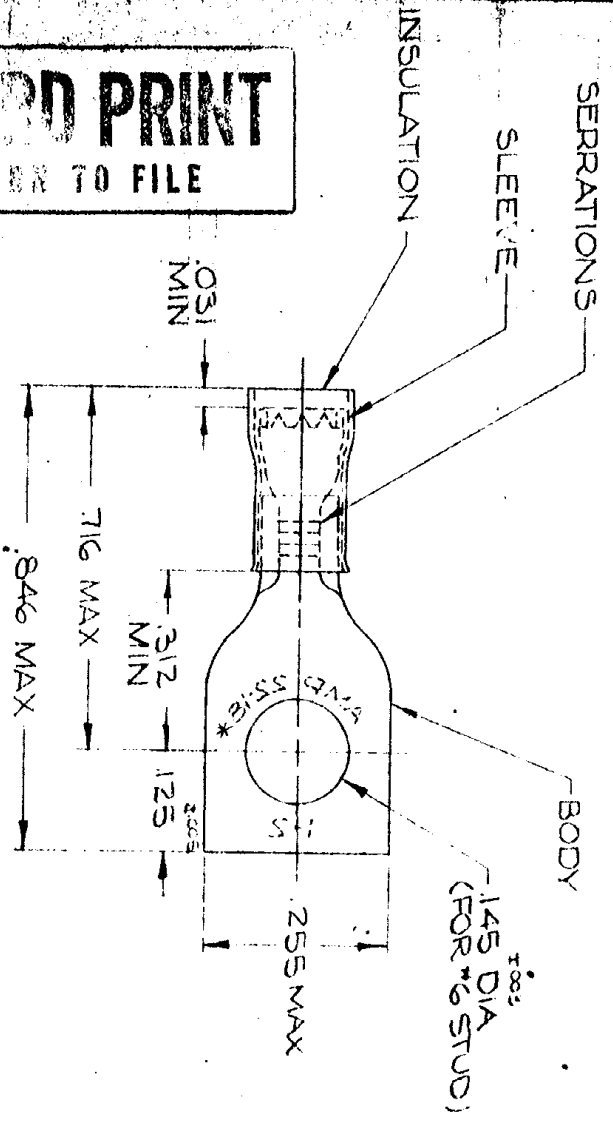


DRAWING MADE IN AMERICAN PROJECTION
 © 1958 BY AMP INCORPORATED, ALL RIGHTS RESERVED. AMP PRODUCTS COVERED BY PATENTS AND/OR PATENTS PENDING.

REVISIONS		DATE	APPROVED
LTR	DESCRIPTION		
C	REDRAWN FROM ADDED TAPE NO 3630	5-11-71	CEY

LOC 6
 PRINT 141
 2



RECORD PRINT
 RETURN TO FILE

TONGUE MATERIAL THK = .031 ±.002
 FOR .080 TO .125 WIRE INSULATION DIA
 MARKING: 22-18 FOR MILITARY
 COMMERCIAL RANGE 22-16

1	320629 ON TAPE	2320629-1	INSULATION: NYLON (MIL-IT-20693) TONGUE: COPPER (GG-C-576) FIN PL (MIL-F-10727)
1	WIRE TERMINAL	320629	BODY & SLEEVE: COPPER (GG-C-576) FIN PL (MIL-F-10727)
QTY DESCRIPTION PART NO. MATERIAL & FINISH			
UNLESS OTHERWISE SPECIFIED DIMENSIONS ARE IN INCHES TO 3 DECIMALS ANGLES 30°			
MATERIAL		CONTRACT NO. 4	DR. AMPLIFIED 3-9-71
SEE TABLE		CHK. J. J. WILSON 3-11-71	APPD. J. J. WILSON 3-15-71
		REL. H. J. WILSON 3-15-71	DSGN. G. P. D.
		OTHER APPD.	NAME: AMP INCORPORATED HARRISBURG, PENNSYLVANIA
		SIZE: A	CODE IDENT NO.: 00779
		NUMBER: 320629	WIRE TERMINAL PLDG.-RECTANGULAR TONGUE WIRE SIZE: 22-16
		SCALE: NTS	SHEET 1 OF 1