

4

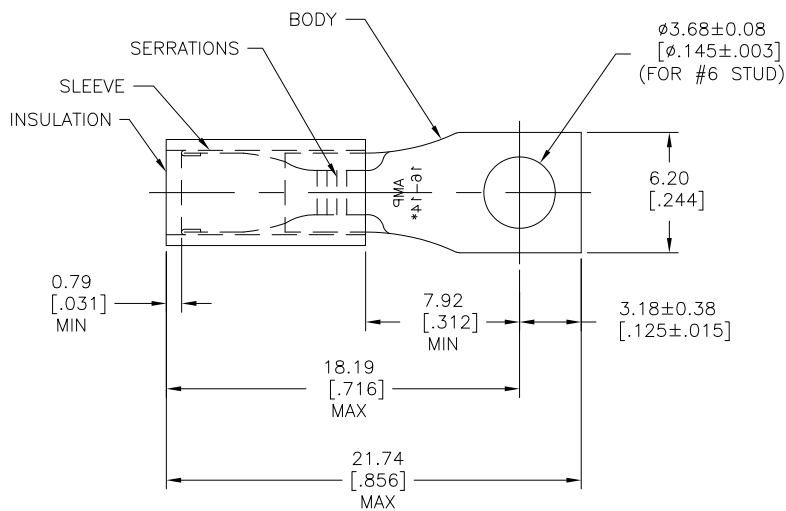
3

2

1

THIS DRAWING IS UNPUBLISHED. RELEASED FOR PUBLICATION  
 © COPYRIGHT - BY TYCO ELECTRONICS CORPORATION. ALL INTERNATIONAL RIGHTS RESERVED.

LOC	DIST	REVISIONS			
P	LTR	DESCRIPTION	DATE	DWN	APVD
G	14				
	E1	REVISED PER ECR-09-005960	14APR09	HMR	JR



△ SUPERSEDED BY 33172

TONGUE MATERIAL THK =  $0.79 \pm 0.05$  [.031 ± .002]  
 FOR 2.67 [.105] TO 3.81 [.150] WIRE INS. DIA

1	33172 ON TAPE	2-33172-1 △	INSULATION: NYLON COLOR: BLUE SLEEVE: COPPER (ASTM-B152) BODY: COPPER (ASTM-B152) TIN PL (ASTM-B545)
1	WIRE TERMINAL	33172	
QTY	DESCRIPTION	PART NO	MATERIAL & FINISH

THIS DRAWING IS A CONTROLLED DOCUMENT.		DWN RAGHAVENDRA 14APR09	Tyco Electronics Corporation Harrisburg, PA 17105-3608	
DIMENSIONS: mm [INCHES]		CHK JEFF RUTH 14APR09	NAME Tom Michielutti	
TOLERANCES UNLESS OTHERWISE SPECIFIED:		APVD Tom Michielutti 14APR09	PRODUCT SPEC ---	
0 PLC ± -		APPLICATION SPEC ---		
1 PLC ± -		SIZE A3		
2 PLC ± -		CAGE CODE 00779		
3 PLC ± 0.20 [.008]		DRAWING NO C-33172		
4 PLC ± -		RESTRICTED TO ---		
ANGLES ± 5°		WEIGHT ---		
MATERIAL SEE TABLE	FINISH SEE TABLE	CUSTOMER DRAWING		
		SCALE 5:1	SHEET 1 of 1	REV E1

1470-19 (1/08)