

4

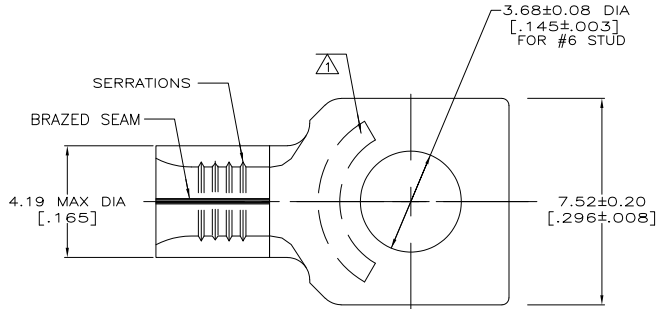
3

2

1

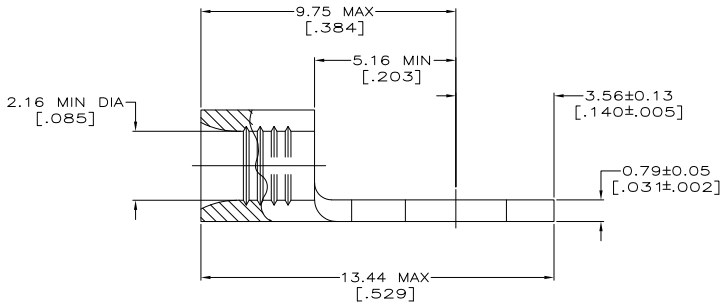
THIS DRAWING IS UNPUBLISHED. RELEASED FOR PUBLICATION  
 © COPYRIGHT BY TYCO ELECTRONICS CORPORATION. ALL INTERNATIONAL RIGHTS RESERVED.

LOC	DIST	REVISONS		DAP	DATE	MIN	APD
G	14	P	LR				
		E1	REVISED PER ECR	D9-023200	27OCT09	JR	TM



<b>AMP</b> WIRE RANGE	Listed FILE E13288	LR7189 Certified
16-14 AWG SOLID OR STRANDED	16-14 AWG SOLID OR STRANDED	16-14 AWG SOLID OR STRANDED

- 1 STAMP AMP 16-14\*, APPROX AS SHOWN
- 2 COPPER PER ASTM B-152, ANNEALED
- 3 0.00254 [.000100] MIN TIN PER ASTM B-545



5000	ON TAPE	2-34266-1
---	LOOSE PIECE	34266
QTY	PART NUMBER	PART NUMBER

CUSTOMER SERVICE SYSTEMS		MAX RECOMMENDED OPERATING TEMPERATURE:
FOR ADDITIONAL PRODUCT INFORMATION OR COPIES OF DRAWINGS AND TECHNICAL DOCUMENTS	PRODUCT INFORMATION CENTER 1-800-522-6752	170°C MAX
FOR APPLICATION	TOOLING ASSISTANCE CENTER 1-800-722-1111	VOLTAGE RATING: N/A
FOR ORDER ENTRY	1-800-526-5142	CIRCULAR MIL AREA: 104-2.62mm² [2.050-5.180] SOLID OR STRANDED

THIS DRAWING IS A CONTROLLED DOCUMENT.	
DIMENSIONS: MM (INCHES)	TOLERANCES UNLESS OTHERWISE SPECIFIED:
0 PLG ± .005	1 PLG ± .005
2 PLG ± .005	3 PLG ± .005
4 PLG ± .005	ANGLES ± .5°
MATERIAL	FINISH
- 1	- 2

DESIGNED BY: <b>TOM MICHIELLUTTI</b>	DATE: 10/11/09	TYCO ELECTRONICS CORPORATION Harrisburg, PA 17105-3608
APPROVED BY: <b>TOM MICHIELLUTTI</b>	DATE: 10/11/09	TERMINAL, RECTANGULAR TONGUE, BUDGET
APPLICATION SPEC: ---	SIZE: A2	CAGE CODE: 00779
REVISION: ---	SCALE: 10:1	SHEET: 1 of 1
CUSTOMER DRAWING	REV: E1	

1471-9 (1/08)

34266

A