

4

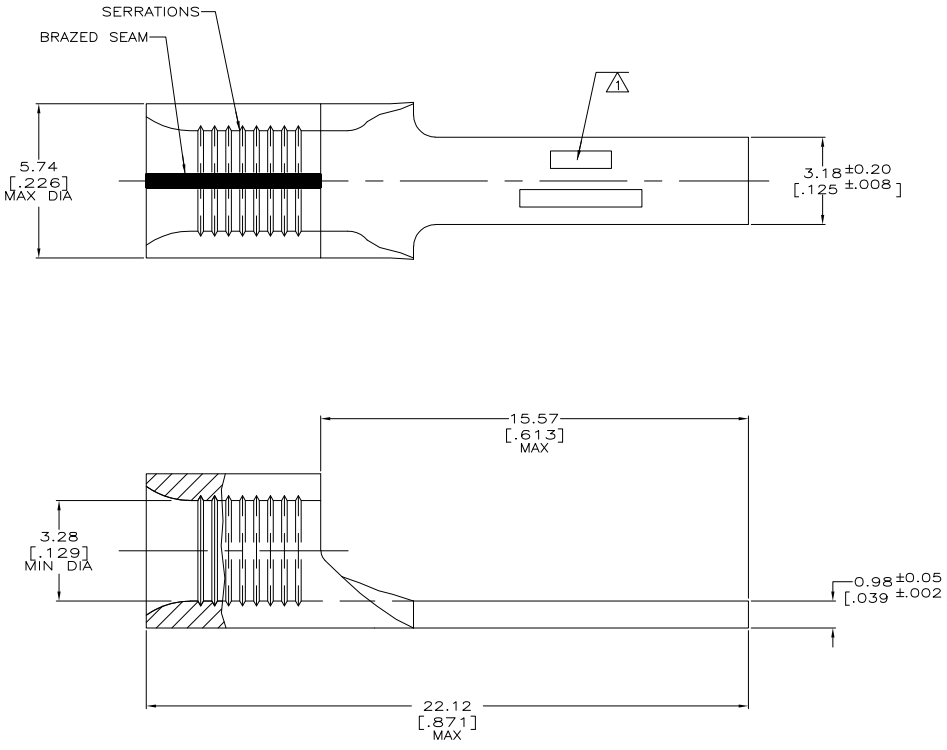
3

2

1

THIS DRAWING IS UNPUBLISHED. RELEASED FOR PUBLICATION
 BY TYCO ELECTRONICS CORPORATION. ALL RIGHTS RESERVED.

LOC	DIST	REVISIONS		DATE	MIN	APVD
G	14	P	LTR			
		C1	REV PER EDR 07-006596	22MAR07	JR	TM



AMP WIRE RANGE	Listed FILE E13288	LR7189 Certified
12-10 AWG SOLID OR STRANDED	12-10 AWG STRANDED	12-10 AWG SOLID OR STRANDED

- 1 STAMP AMP 12-10* APPROX AS SHOWN
- 2 COPPER PER ASTM B-152, ANNEALED
- 3 TIN PLATE 0.00254 [0.00100] MIN THK PER ASTM B-545

AMP INCORPORATED CUSTOMER SERVICE SYSTEMS		MAX RECOMMENDED OPERATING TEMPERATURE:
FOR ADDITIONAL PRODUCT INFORMATION OR COPIES OF DRAWINGS AND TECHNICAL DOCUMENTS	PRODUCT INFORMATION CENTER 1-800-522-6752	170°C N/A
FOR APPLICATION	TOOLING ASSISTANCE CENTER	VOLTAGE RATING: N/A
TOOLING INFORMATION	1-800-722-1111	CIRCULAR MIL AREA: 2.62-6.66mm ² (5,180-13,100) SOLID OR STRANDED
FOR ORDER ENTRY	1-800-526-5142	THIS DRAWING IS A CONTROLLED DOCUMENT FOR AMP INCORPORATED. IF IT IS SUBJECT TO CHANGE AND THE CONTROLLING ENGINEERING ORGANIZATION SHOULD BE CONTACTED FOR THE LATEST REVISION.

THIS DRAWING IS A CONTROLLED DOCUMENT.		DRG NO.	DATE	REV	DESCRIPTION	DATE	MIN	APVD
DRG NO.	14JUN94	14JUN94						
CHK	SCHRUM	05AUG94						
CHK	PATTERSON	05AUG94						
CHK	JL MECKLEY	05AUG94						
CHK	JL MECKLEY	05AUG94						
PRODUCT SPEC								
APPLICATION SPEC								
HEIGHT								
CUSTOMER DRAWING								

322443
PART NO.

AMP 1471-9 REV 31MM2000

322443

A