

4

3

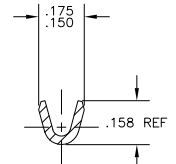
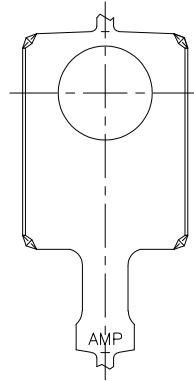
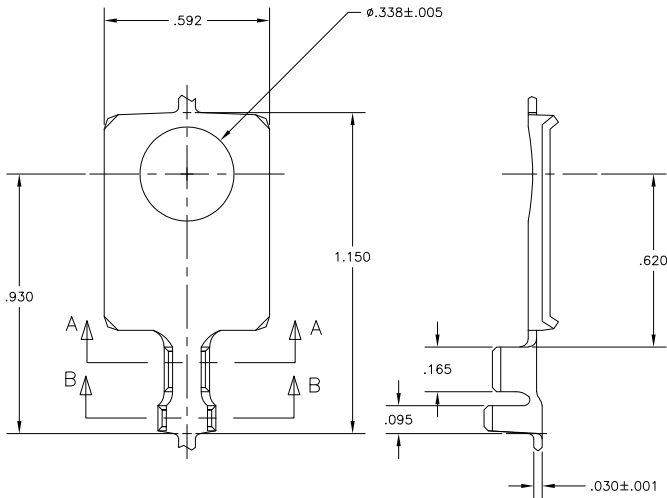
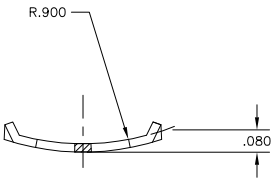
2

1

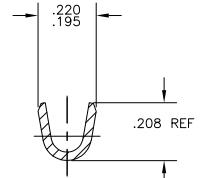
THIS DRAWING IS UNPUBLISHED. RELEASED FOR PUBLICATION
 © COPYRIGHT BY TYCO ELECTRONICS CORPORATION. ALL RIGHTS RESERVED.

LOC	DIST	REVISIONS			
P	LTR	DESCRIPTION	DATE	MIN	APD
AF	50				
E		REVISED PER 063A-0959-04	100EC04	MF	DD

- 1 CONTINUOUS STRIP ON REELS.
- 2 WIRE RANGE: #18-#14 AWG.
- 3 INSULATION RANGE: .090-.140 DIA.



SECTION A-A



SECTION B-B

61359-1
 PART NUMBER

THIS DRAWING IS A CONTROLLED DOCUMENT.		DWG: MICHAEL S. FEHNER CHK: DONALD F. DECKER APP: DONALD F. DECKER PRODUCT SPEC:	010EC2004 100EC2004 100EC2004 100EC2004	Tyco Electronics Tyco Electronics Corporation Harrisburg, Pa 17105-3608
DIMENSIONS: INCHES 0 PLC ± .005 1 PLC ± .005 2 PLC ± .010 3 PLC ± .010 4 PLC ± .010 ANGLES ± .5°	DIMENSIONS: INCHES 0 PLC ± .005 1 PLC ± .005 2 PLC ± .010 3 PLC ± .010 4 PLC ± .010 ANGLES ± .5°	APPLICATION SPEC: WEIGHT: FINISH:	SIZE: A2 CASE CODE: 00779 DRAWING NO: C-61359	RESTRICTED TO: SCALE: 4:1 SHEET: 1 OF 1 REV: E
MATERIAL: TEMP 3 STEEL		FINISH: .00080 MIN TIN		

AMP 1471-9 REV 31MM2000

61359

A