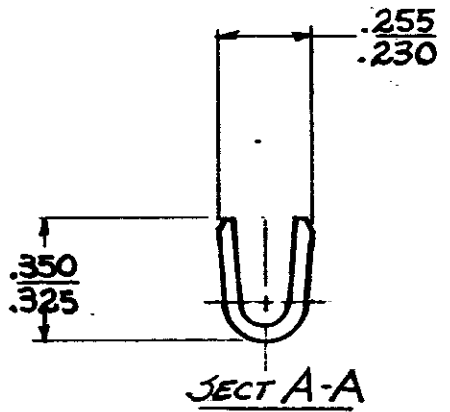
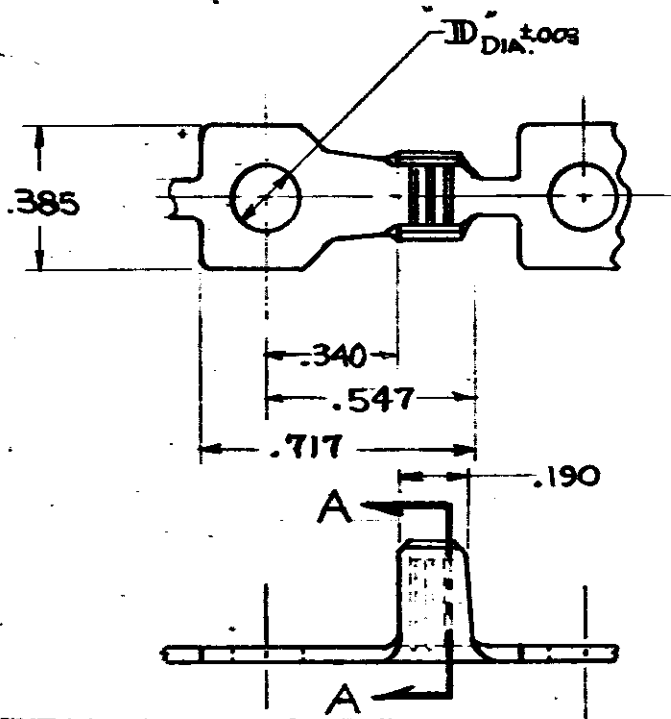


NUMBER  
42673

S



CONTINUOUS STRIP ON REELS

WIRE SIZE	STUD #	"D" DIA. ±.003	MATERIAL & FINISH	PART NUMBER
8-10	10	.197	.040 BRASS - NONE	42673-1
"	"	"	.040 - BRASS - TIN	42673-2

DIMENSIONS IN INCHES. DO NOT SCALE PRINT.

©1968 BY AMP INCORPORATED. ALL RIGHTS RESERVED. AMP PRODUCTS COVERED BY PATENTS AND/OR PATENTS PENDING.

**CUSTOMER COPY  
REFERENCE ONLY**

MATERIAL AND FINISH



SEE TABLE

CLASS — H —

WIRE — RANGE — INSULATION  
SEE TABLE — H —

TYPE — H —

TOLERANCE EXCEPT AS NOTED  
= .015 = 1" 0'

SCALE  
2x1

LOC  
A

NO  
42673

REV  
D

NAME  
— RING —

APP'D	DATE	CHK	DATE
DR	1-3-68	DR	1-3-68
DE	1-3-68	DR	1-3-68
APP	1-3-68	DR	1-3-68

AMP 1252 REV 1160