

4

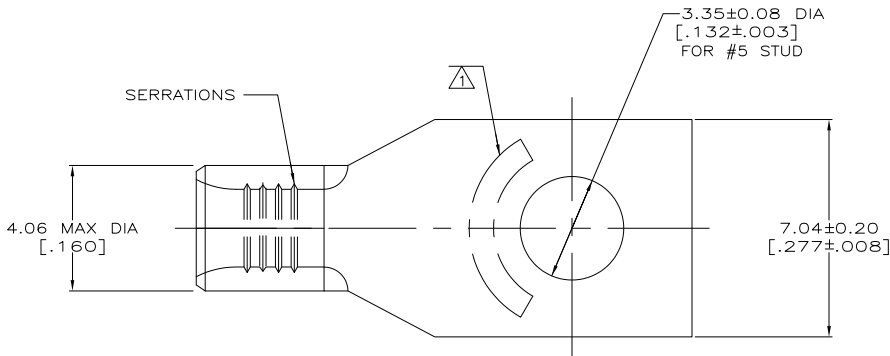
3

2

1

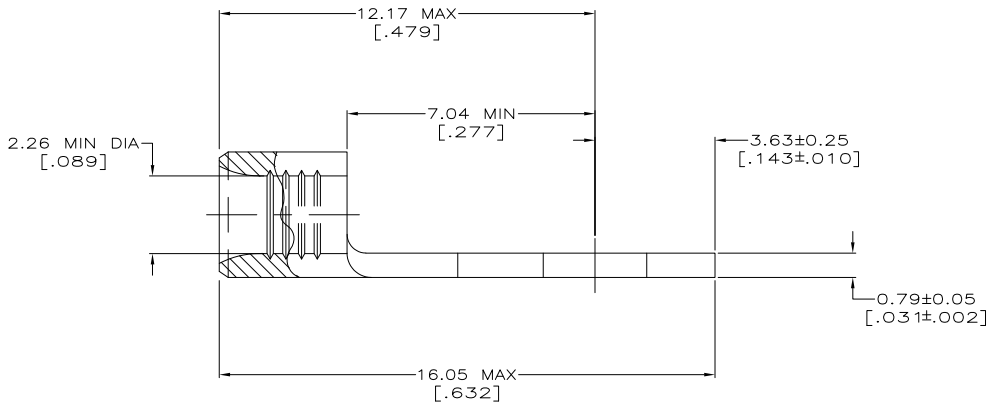
THIS DRAWING IS UNPUBLISHED. RELEASED FOR PUBLICATION.
 BY TYCO ELECTRONICS CORPORATION. ALL INTERNATIONAL RIGHTS RESERVED.

LOC	DIST	REVISIONS					
G	14	F	LR	DESCRIPTION	DATE	BY	APP'D
		B		REV PER ECR-10-007996	19APRIL2010	RG	TM



AMP WIRE RANGE	E13288 Listed
16-14 AWG STRANDED	16-14 AWG STRANDED

- 1. STAMP AMP 16-1, APPROX. AS SHOWN
- 2. RECOMMENDED OPERATING TEMPERATURE: 170°C MAX
- 3. WIRE CROSS SECTIONAL AREA RANGE: 1.04-2.62mm² [2,050-5,180 CIRCULAR MIL AREA] STRANDED
- 4. MATERIAL: COPPER PER ASTM B-152 ANNEALED
- 5. FINISH: TIN PLATE 0.00254 [0.000100] MIN THK PER ASTM-B545



1000	LOOSE PIECE	327951
QTY	PACKAGE TYPE	PART NO.

THIS DRAWING IS A CONTROLLED DOCUMENT.		DRN R.GRZYBOWSKI 19APR2010	Tyco Electronics Corporation Harrisburg, PA 17105-3608	
DIMENSIONS: mm		CHK T.MICHELJUT 19APR2010	NAME M.PERCHEKKE	
TOLERANCES UNLESS OTHERWISE SPECIFIED:		APPC ---	PRODUCT SPEC ---	
APPLICATION SPEC ---		SIZE A2	CAGE CODE 00779	DRAWING NO C=327951
MATERIAL ---		WEIGHT ---	RESTRICTED TO ---	
FINISH ---		CUSTOMER DRAWING		SCALE 10:1
		SHEET 1 of 1		REV B

1471-9 (1/08)

327951

A