

4

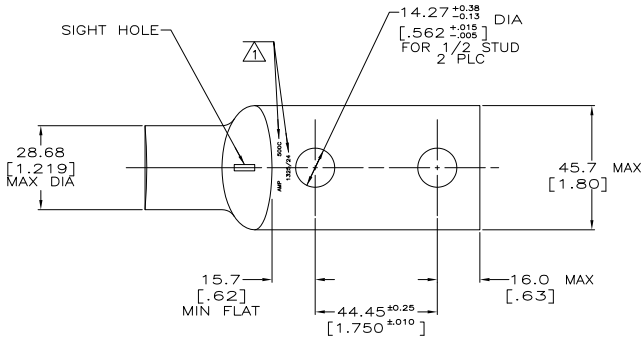
3

2

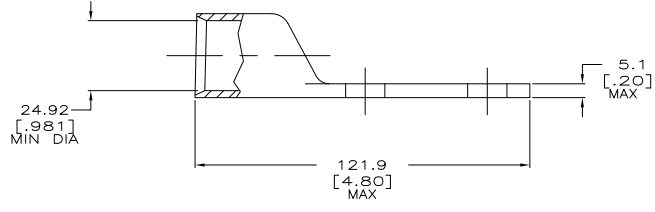
1

THIS DRAWING IS UNPUBLISHED. RELEASED FOR PUBLICATION
 © COPYRIGHT BY TYCO ELECTRONICS CORPORATION. ALL INTERNATIONAL RIGHTS RESERVED.

LOC	DIST	REVISIONS		
G	86	P	LTR	DESCRIPTION
		B1	REV PER EDR	08-023271
			DATE	MIN
			15SEPT08	JR CK



△ STAMP APPROX IN AREAS SHOWN



-	327289-4
0.00254 [.000100] MIN TIN	327289
FINISH	PART NO.

MAX. RECOMMENDED OPERATING TEMPERATURE: 170°C MAX	THIS DRAWING IS A CONTROLLED DOCUMENT.	DRK SCHRUM 6/24/93 CHK AL KAUFMAN 6/24/93	Tyco Electronics Corporation Harrisburg, PA 17105-3608
VOLTAGE RATING: N/A	DIMENSIONS: MM [INCHES]	APD J. MECKLEY 6/24/93	TERMINAL, AMPPOWER, WIRE SIZE: 500 MCM
CIRCULAR MIL AREA: 228.02-278.69mm ² [450-550] MCM STRANDED	MATERIAL: COPPER PER ASTM B-75 ANNEALED	APPLICATION SPEC: —	SIZE CASE CODE DRAWING NO: A2 00779 C=327289
	FINISH: SEE TABLE	WEIGHT .461 LBS.	RESTRICTED TO: —
		CUSTOMER DRAWING	SCALE 1:1 SHEET 1 of 1 REV B1

1471-9 (1/08)

327289