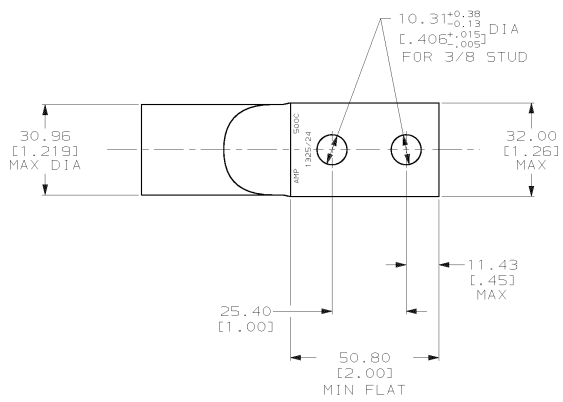
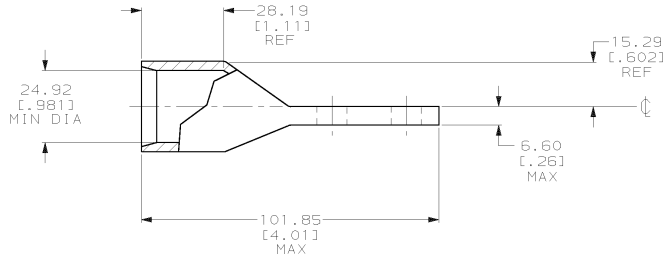


DRAWING MADE IN THIRD ANGLE PROJECTION  
 THIS DRAWING IS UNPUBLISHED. RELEASED FOR PUBLICATION .19  
 © COPYRIGHT 19 BY AMP INCORPORATED. ALL INTERNATIONAL RIGHTS RESERVED.

LOC		DIST		ZONE		LTR		REVISIONS		DATE	APPD
6	86	P	F					D	REV PER 063A-0561-01	070CT02	JR/HIS



△ TIN PL 0.00381 [0.00150] MIN THK PER MIL-T-10727  
 2 CIRCULAR MIL RANGE: 450-550 MCM



**METRIC**

DO NOT SCALE PRINT. UNLESS SPECIFIED DIMENSIONS IN mm (INCHES) TOLERANCES ON:		DR 10/15/91 DK SCHRUM		276887-1	
2 PLC DEC ± 0.51 (0.020)		CHK 10/16/91 AJ KAUFMAN		PART NO	
3 PLC DEC ± -		APPD 10/16/91 WJ VOCKROTH		AMP INCORPORATED Harrisburg, Pa. 17105	
ANGLES ± -		APPD 10/16/91 AJ ADELMANN		NAME	
MATERIAL ANNEALED COPPER ASTM B-75		PRODUCT SPEC -		TERMINAL, AMPOWER™	
FINISH △		APPLICATION SPEC -		WIRE SIZE: 253.0mm <sup>2</sup> [500] MCM	
WEIGHT -		SCALE 1:1		SIZE C CAGE CODE 00779 DRAWING NO 276887	
				SHEET 1 OF 1	