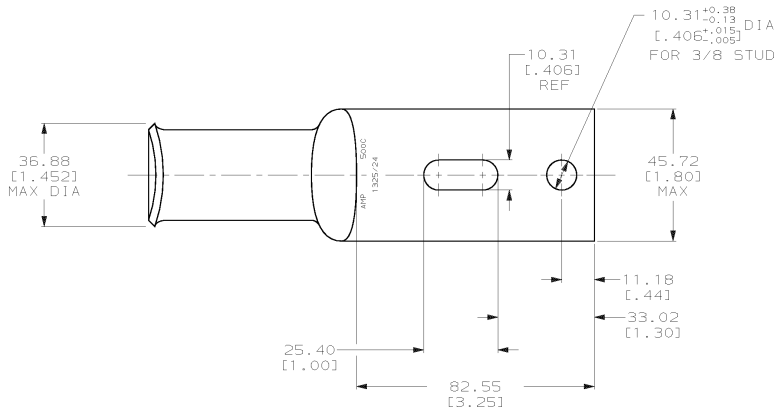
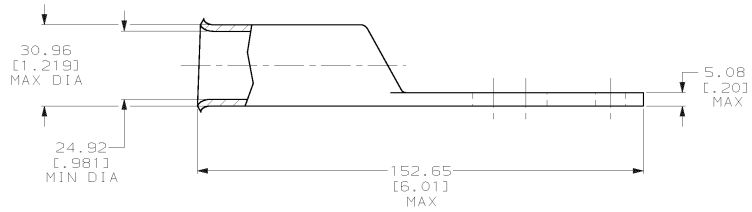


DRAWING MADE IN THIRD ANGLE PROJECTION
 THIS DRAWING IS UNPUBLISHED. RELEASED FOR PUBLICATION .19
 © COPYRIGHT 19 BY AMP INCORPORATED. ALL INTERNATIONAL RIGHTS RESERVED.

LOC		DIST		ZONE		LTR		REVISIONS		DATE	APPD
6	86	P	F					C	REV PER 063A-0561-01	0700T02	JR/MS



1 CIRCULAR MIL AREA RANGE: 450-550 MCM
 △ TIN PL 0.00381 [0.000150] MIN THK PER MIL-T-10727



METRIC

		276964-1	
		PART NO	
DO NOT SCALE PRINT. UNLESS SPECIFIED DIMENSIONS IN mm (INCHES) TOLERANCES ON: 2 PLC DEC ± 0.51 (0.020) 3 PLC DEC ± - ANGLES ± -		DR 03/09/90 DK SCHIRM CHK 24JAN95 MS FEHER APPD 24JAN95 WJ VOCKROTH APPD 24JAN95 TL SHUTTER PRODUCT SPEC 108-30200	
MATERIAL ANNEALED COPPER ASTM B-75		NAME AMP AMP INCORPORATED Harrisburg, Pa. 17105 TERMINAL, AMPPOWER, WIRE SIZE: 500 MCM	
FINISH △		APPLICATION SPEC -	SIZE C
WEIGHT -		SCALE 1:1	CAGE CODE 00779
		DRAWING NO 276964	SHEET 1 OF 1