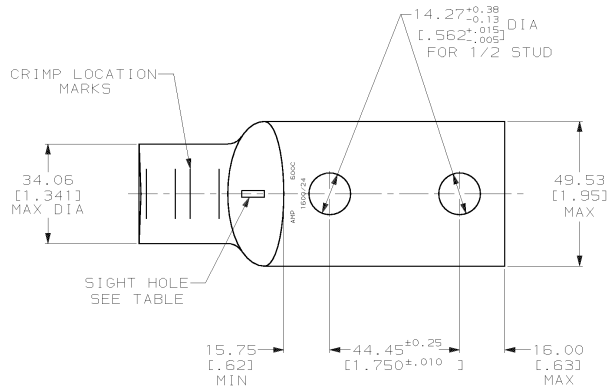
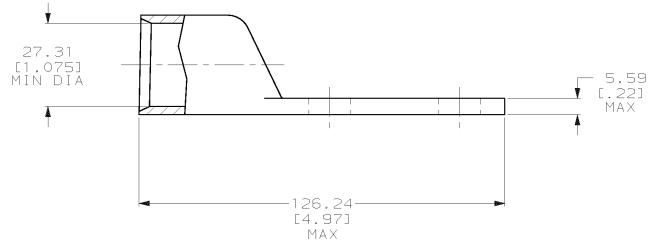


DRAWING MADE IN THIRD ANGLE PROJECTION
 THIS DRAWING IS UNPUBLISHED. RELEASED FOR PUBLICATION .19
 © COPYRIGHT 19 BY AMP INCORPORATED. ALL INTERNATIONAL RIGHTS RESERVED.

LOC	QTY	P	F	ZONE	LTR	DESCRIPTION	DATE	APPD
6	86					REV PER 063A-0561-01	090CT02	JR/MS



- 1 CIRCULAR MIL RANGE: 550-650 MCM
- △ TIN PL 0.00381 [0.000150] MIN THK PER ASTM B-545
- △ CLEANED, UNPLATED



△	REQ'D	327290-2
△	NONE	327290-1
△	REQ'D	327290
FINISH	SIGHT HOLE	PART NO

DO NOT SCALE PRINT. UNLESS SPECIFIED DIMENSIONS IN mm (INCHES) TOLERANCES ON: 2 PLC DEC ± 0.51 (.020) 3 PLC DEC ± - ANGLES ± -		DR 02/28/90 DK SCHIRM	AMP INCORPORATED Harrisburg, Pa. 17105	
MATERIAL ANNEALED COPPER ASTM B-75		CHK 25JAN95 MS FEHER		
FINISH SEE TABLE		APPD 25JAN95 WJ VOCKROTH	NAME TERMINAL, AMPPOWER, WIRE SIZE: 600 MCM	
		PRODUCT SPEC 108-30200	SIZE C	CAGE CODE 00779
		APPLICATION SPEC -	DRAWING NO 327290	SHEET 1 OF 1
		WEIGHT .574 LB	SCALE 1:1	

