

4

3

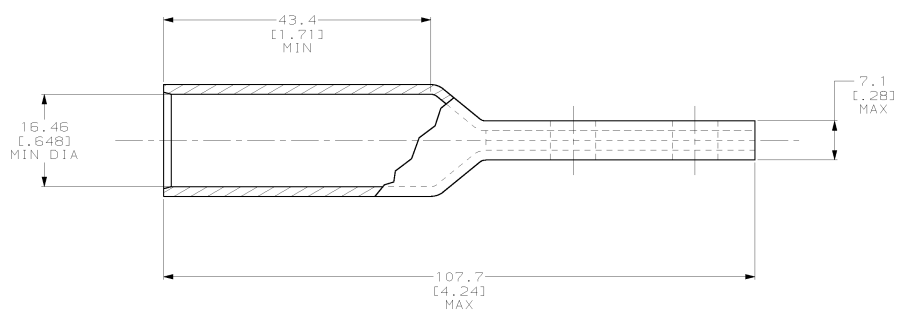
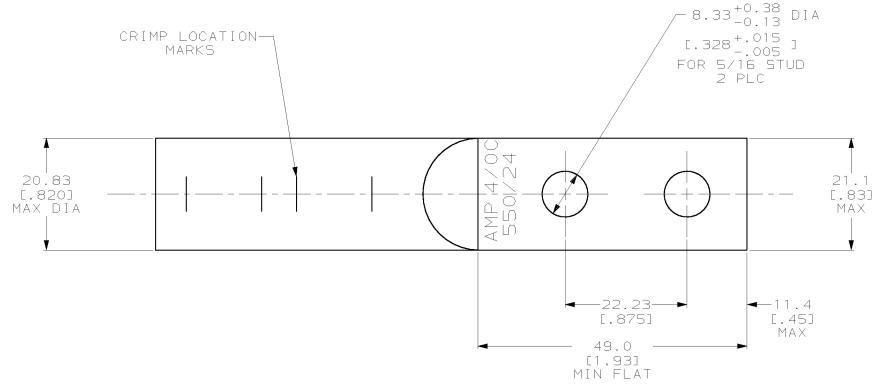
2

1

THIS DRAWING IS UNPUBLISHED. RELEASED FOR PUBLICATION
 © COPYRIGHT 19 BY AMP INCORPORATED. ALL RIGHTS RESERVED.

LOC	DIST	REVISIONS			
F	LTR	DESCRIPTION	DATE	ENR	APPD
G	86				
C		REV PER 063A-0561-01	070CT02	JR	MS

1 CIRCULAR MIL RANGE: 100.0mm² [190,000] TO 125.0mm² [231,000] CIR MILS



277143-1
 AMP
 PART NUMBER

<small>THIS DRAWING IS UNPUBLISHED. RELEASED FOR PUBLICATION. ALL RIGHTS RESERVED.</small>		DWN: SCHEDULE 144050 CHK: 154050	AMP Incorporated Harrisburg, PA 17105-3608
DIMENSIONS (mm [INCHES])	DIMENSIONS (INCHES)	DWN: VODERBOTH 154050 CHK: BUCKLEY 154050 APPD: PRODUCT SPEC	
0 PLC ± 0 PLC ± 0 PLC ±0.51 (0.020) 0 PLC ±0.131 (0.005) 0 PLC ± ANGLES ±	DIMENSIONS (INCHES)	APPLICATION SPEC: - BEIGHT: -	NAME: AMP TERMINAL, CENTER LINE, AMPPOWER, WIRE SIZE: 4/0 AWG SIZE: A2100779 PART NUMBER: C-277143
MATERIAL: COPPER PER ASTM B-75 ANNEALED	FINISH: TIN PLATE 0.0038 (0.00150) MIN THK PER MIL-T-10727	CUSTOMER DRAWING	SCALE: 2:1 SHEET 1 OF 1 REV C

277143

A