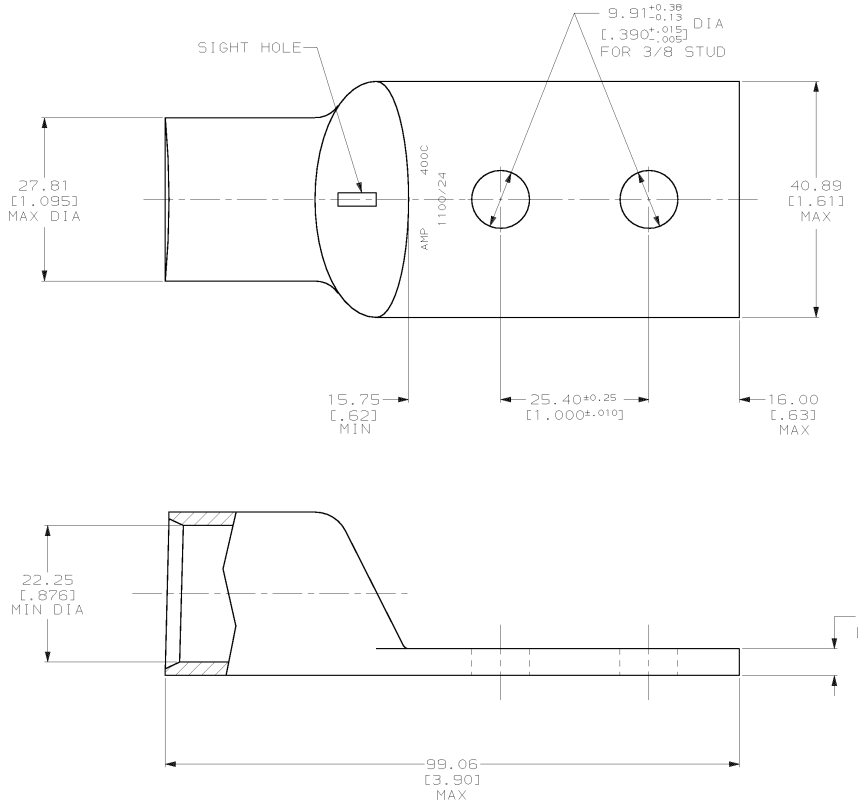


DRAWING MADE IN THIRD ANGLE PROJECTION
 THIS DRAWING IS UNPUBLISHED. RELEASED FOR PUBLICATION .19
 © COPYRIGHT 19 BY AMP INCORPORATED. ALL INTERNATIONAL RIGHTS RESERVED.

LOC		DIST		ZONE		LTR		REVISIONS		DATE	APPD
6	86	P	F					U	REV PER 063A-0561-01	090CT02	JR/MS



- 1 CIRCULAR MIL AREA RANGE: 375-450 MCM
- △ TIN PL 0.00381[.000150] MIN THK PER ASTM B-545
- ③ NO SIGHT HOLE

△ 326807-2
326807
PART NO

DO NOT SCALE PRINT. UNLESS SPECIFIED DIMENSIONS IN mm (INCHES) TOLERANCES ON: 2 PLC DEC ± 0.51(.020) 3 PLC DEC ± - ANGLES ± -	DR 02/28/90 DK SCHIRM	AMP INCORPORATED Harrisburg, Pa. 17105
MATERIAL ANNEALED COPPER ASTM B-75	CHK 23JAN95 MS FEHER	
FINISH △	APPD 23JAN95 WJ VOCKROTH	NAME TERMINAL, AMPPOWER™ WIRE SIZE: 400 MCM
	PRODUCT SPEC 108-30200	SIZE C
	APPLICATION SPEC -	CAGE CODE 00779
	WEIGHT .308 LB	DRAWING NO 326807
		SCALE 2:1
		SHEET 1 OF 1

METRIC