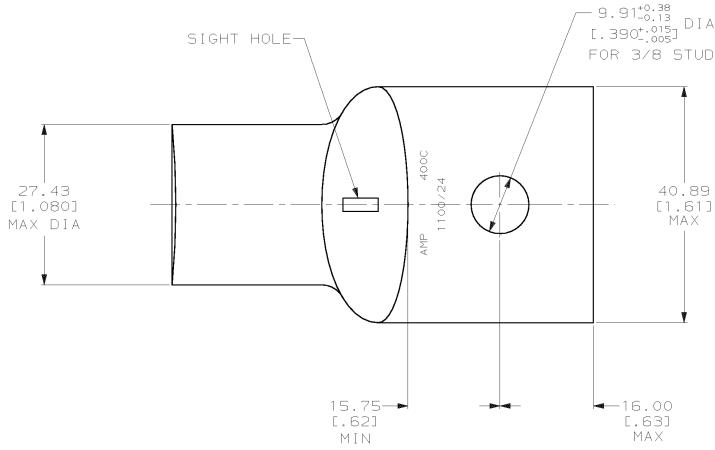
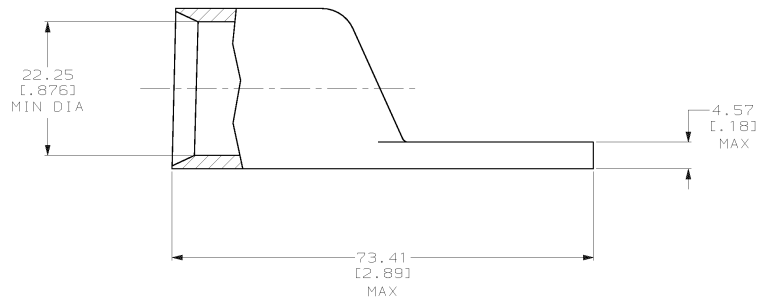


DRAWING MADE IN THIRD ANGLE PROJECTION
 THIS DRAWING IS UNPUBLISHED. RELEASED FOR PUBLICATION .19
 © COPYRIGHT 19 BY AMP INCORPORATED. ALL INTERNATIONAL RIGHTS RESERVED.

LOC	DIST	P	F	ZONE	LTR	REVISIONS	DATE	APPD
6	86					REV PER 063A-0561-01	0800T02	JR/MS



1 CIRCULAR MIL AREA RANGE: 375-450 MCM
 TIN PL 0.00381 [0.000150] MIN THK PER MIL-T-10727



METRIC

DO NOT SCALE PRINT. UNLESS SPECIFIED DIMENSIONS IN mm (INCHES) TOLERANCES ON: 2 PLC DEC ± 0.51 (0.020) 3 PLC DEC ± - ANGLES ± -		DR 03/16/90 DK SCHIRM	326003 PART NO	
MATERIAL ANNEALED COPPER ASTM B-75	CHK 23JAN95 MS FEHER	APPD 23JAN95 WJ VOCKROTH	AMP AMP INCORPORATED Murrysburg, Pa. 17155	
FINISH	PRODUCT SPEC 108-30200	APPD 23JAN95 TL SHUTTER	NAME TERMINAL, AMPPOWER,™ WIRE SIZE: 400 MCM	
WEIGHT .231 LB	APPLICATION SPEC -	SCALE 2:1	SIZE C	CAGE CODE 00779
			DRAWING NO	326003
			SHEET	1 OF 1