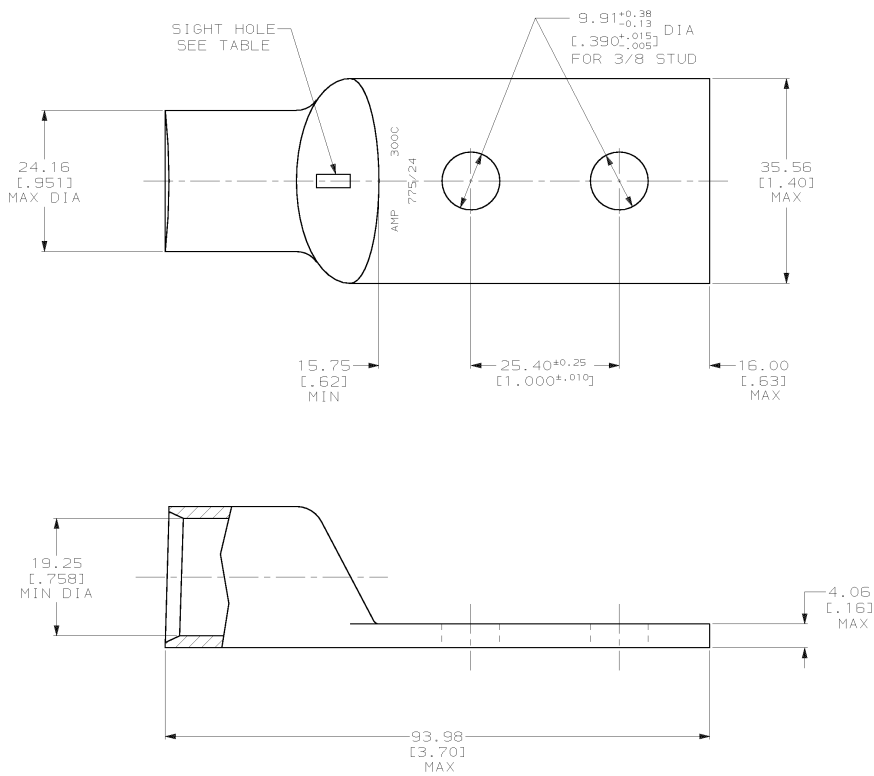


DRAWING MADE IN THIRD ANGLE PROJECTION
 THIS DRAWING IS UNPUBLISHED. RELEASED FOR PUBLICATION .19
 © COPYRIGHT 19 BY AMP INCORPORATED. ALL INTERNATIONAL RIGHTS RESERVED.

LOC	QTY	P	F	ZONE	LTR	DESCRIPTION	DATE	APPD
6	86					REV PER 063A-0561-01	090CT02	3 rd



1 CIRCULAR MIL AREA RANGE: 275-325 MCM
 TIN PL 0.00381 [1.000150] MIN THK PER MIL-T-10727

METRIC

NONE		326805-1	
REQUIRED		326805	
SIGHT HOLE		PART NO	
AMP INCORPORATED Harrisburg, Pa. 17105			
NAME			
TERMINAL, AMPPOWER, WIRE SIZE: 300 MCM			
MATERIAL		SIZE	CAGE CODE
ANNEALED COPPER ASTM B-188		C	00779
FINISH		DRAWING NO	
		326805	
APPLICATION SPEC		SCALE	SHEET
-		2:1	1 OF 1
WEIGHT .215 LB			