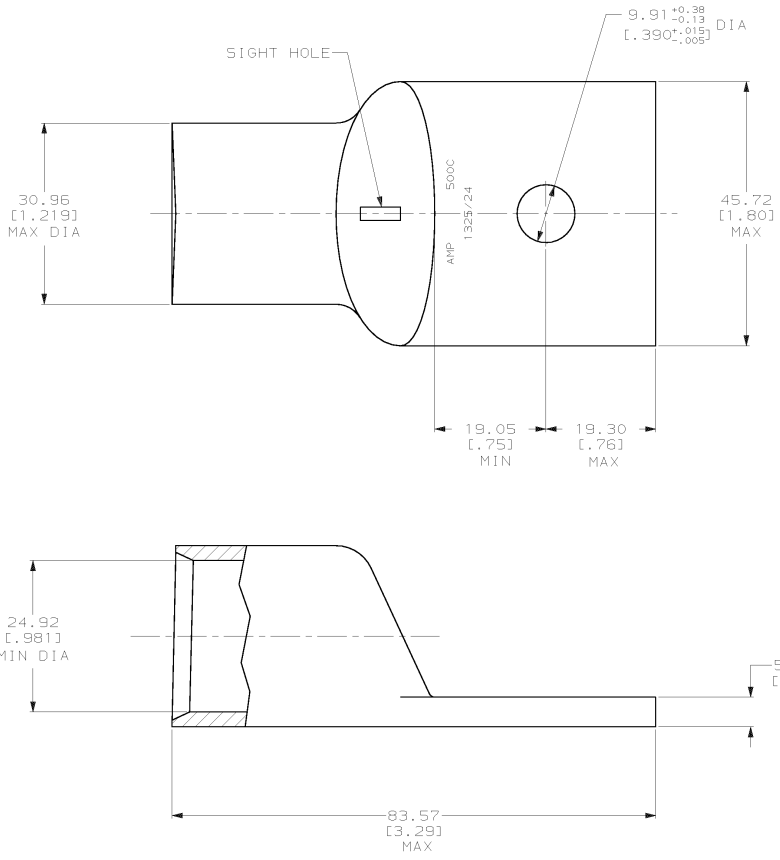


DRAWING MADE IN THIRD ANGLE PROJECTION  
 THIS DRAWING IS UNPUBLISHED. RELEASED FOR PUBLICATION .19  
 © COPYRIGHT 19 BY AMP INCORPORATED. ALL INTERNATIONAL RIGHTS RESERVED.

LOC		DIST		ZONE		LTR		REVISIONS		DATE	APPD
6	86	P	F					R	REV PER 063A-0561-01	0800T02	3 <sup>rd</sup>



1 CIRCULAR MIL AREA RANGE: 450-550 MCM  
 TIN PL 0.00381 [1.000150] MIN THK PER MIL-T-10727

**METRIC**

DO NOT SCALE PRINT. UNLESS SPECIFIED DIMENSIONS IN mm (INCHES) TOLERANCES ON: 2 PLC DEC ± 0.51 (0.020) 3 PLC DEC ± - ANGLES ± -		DR 02/28/90 DK SCHIRM	326103 PART NO	
MATERIAL ANNEALED COPPER ASTM B-75	CHK 23JAN95 MS FEHER	APPD 23JAN95 WJ VOCKROTH	AMP AMP INCORPORATED Murrysburg, Pa. 17155	
FINISH △	PRODUCT SPEC 108-30200	APPLICATION SPEC -	NAME TERMINAL, AMPPOWER™ WIRE SIZE: 500 MCM	
WEIGHT .327 LB	SIZE C	CAGE CODE 00779	DRAWING NO 326103	SHEET 1 OF 1
	SCALE 2:1			