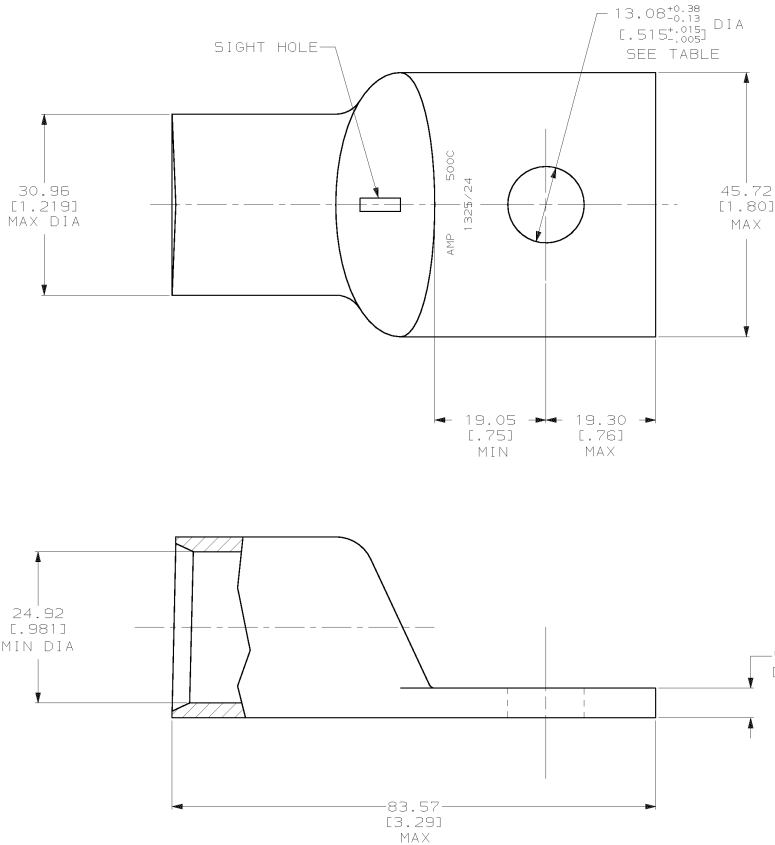


DRAWING MADE IN THIRD ANGLE PROJECTION  
 THIS DRAWING IS UNPUBLISHED. RELEASED FOR PUBLICATION .19  
 © COPYRIGHT 19 BY AMP INCORPORATED. ALL INTERNATIONAL RIGHTS RESERVED.

LOC	DIST	P	F	ZONE	LTR	DESCRIPTION	DATE	APPD
6	86					5 REV PER 063A-0561-01		



1 CIRCULAR MIL RANGE: 450-550 MCM  
 TIN PL 0.00381 [0.00150] MIN THK PER MIL-T-10727

NONE	326105-3
REQ'D	326105
SIGHT HOLE	PART NO

DO NOT SCALE PRINT. UNLESS SPECIFIED DIMENSIONS IN mm (INCHES) TOLERANCES ON: 2 PLC DEC ± 0.51(.020) 3 PLC DEC ± ANGLES ± -		DR 11/22/91 DK SCHRUM	AMP Incorporated Harrisburg, PA 17105-3608	
MATERIAL ANNEALED COPPER ASTM B-75		CHK 11/25/91 AJ KAUFMAN		
FINISH		APPD 11/25/91 WJ VOCKROTH	NAME TERMINAL, AMPPOWER™ WIRE SIZE: 253.0mm <sup>2</sup> [500] MCM	
APPLICATION SPEC		APPD 11/25/91 AJ ADELMANN	PRODUCT SPEC	
WEIGHT .322 LB		SCALE 2:1	SIZE CAGE CODE 00779	DRAWING NO 326105
			SHEET 1 OF 1	

**METRIC**

CUSTOMER DRAWING