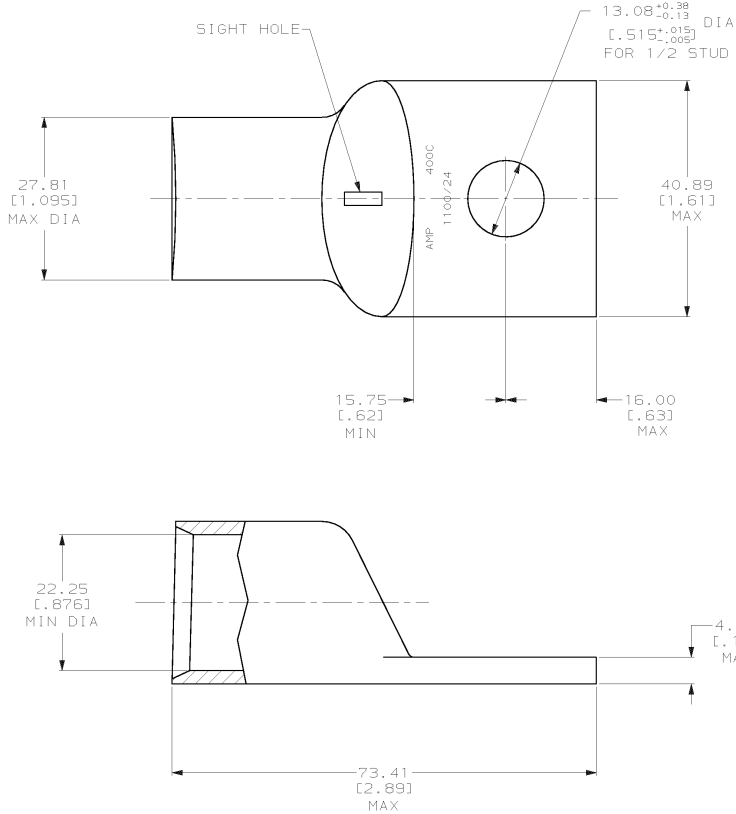


DRAWING MADE IN THIRD ANGLE PROJECTION
 THIS DRAWING IS UNPUBLISHED. RELEASED FOR PUBLICATION .19
 © COPYRIGHT 19 BY AMP INCORPORATED. ALL INTERNATIONAL RIGHTS RESERVED.

LOC	DIST	P	F	ZONE	LTR	DESCRIPTION	DATE	APPD
6	86				V	REV PER 063A-0561-01	080CT02	3 rd



1 CIRCULAR MIL AREA RANGE: 375-450 MCM
 △ TIN PL 0.00381 [0.000150] MIN THK PER MIL-T-10727

NONE	326005-2
REQD	326005
SIGHT HOLE	PART NO

DO NOT SCALE PRINT. UNLESS SPECIFIED DIMENSIONS IN mm [INCHES] TOLERANCES ON: 2 PLC DEC ± 0.51 [0.020] 3 PLC DEC ± - ANGLES ± -	DR 03/09/90 DK SCHRUM	AMP AMP INCORPORATED Harrisburg, Pa. 17105 NAME TERMINAL, AMPPOWER,™ WIRE SIZE: 400 MCM	
MATERIAL ANNEALED COPPER A5TM B-75	CHK 23JAN95 MS FEHER APPD 23JAN95 WJ VOCKROTH APPD 23JAN95 TL SHUTTER PRODUCT SPEC 108-30200		
FINISH △	APPLICATION SPEC -	SIZE C	CAGE CODE 00779
	WEIGHT .226 LB	SCALE 2:1	DRAWING NO 326005 SHEET 1 OF 1

METRIC