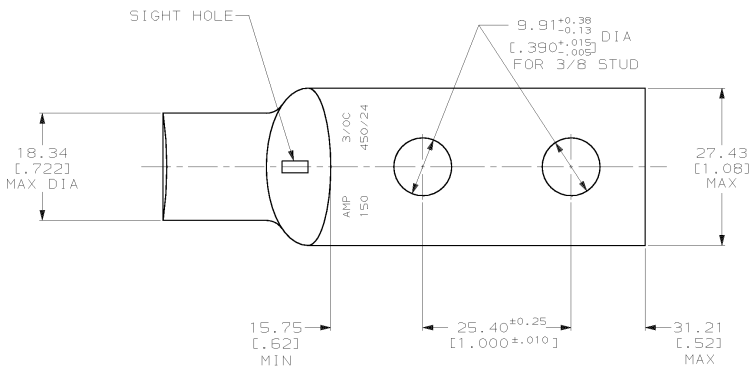
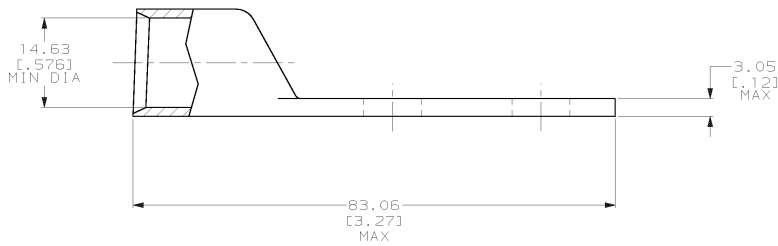


DRAWING MADE IN THIRD ANGLE PROJECTION
 THIS DRAWING IS UNPUBLISHED. RELEASED FOR PUBLICATION .19
 © COPYRIGHT 19 BY AMP INCORPORATED. ALL INTERNATIONAL RIGHTS RESERVED.

LOC	DIST	P	F	ZONE	LTR	REVISIONS	DATE	APPD
6	86					REV PER 063A-0561-01	090CT02	3 rd



1 CIRCULAR MIL RANGE: 150,500-190,000 CM
 TIN PL 0.00381 [0.00150] MIN THK PER MIL-T-10727



METRIC

DO NOT SCALE PRINT. UNLESS SPECIFIED DIMENSIONS IN mm (INCHES) TOLERANCES ON: 2 PLC DEC ± 0.51 (.020) 3 PLC DEC ± ANGLES ± -		DR 02/28/90 DK SCHRUM	326802 PART NO	
MATERIAL ANNEALED COPPER ASTM B-75	CHK 18JAN95 MS FEHER	APPD 18JAN95 WJ VOCKROTH	AMP AMP INCORPORATED Harrisburg, Pa. 17105	
FINISH TIN PL	PRODUCT SPEC -	APPLICATION SPEC -	NAME TERMINAL, AMPPOWER, WIRE SIZE: 3/0 AWG	
WEIGHT .107 LB	SIZE C	CAGE CODE 00779	DRAWING NO 326802	SHEET 1 OF 1
SCALE 2:1		CUSTOMER DRAWING		

326802

A