

4

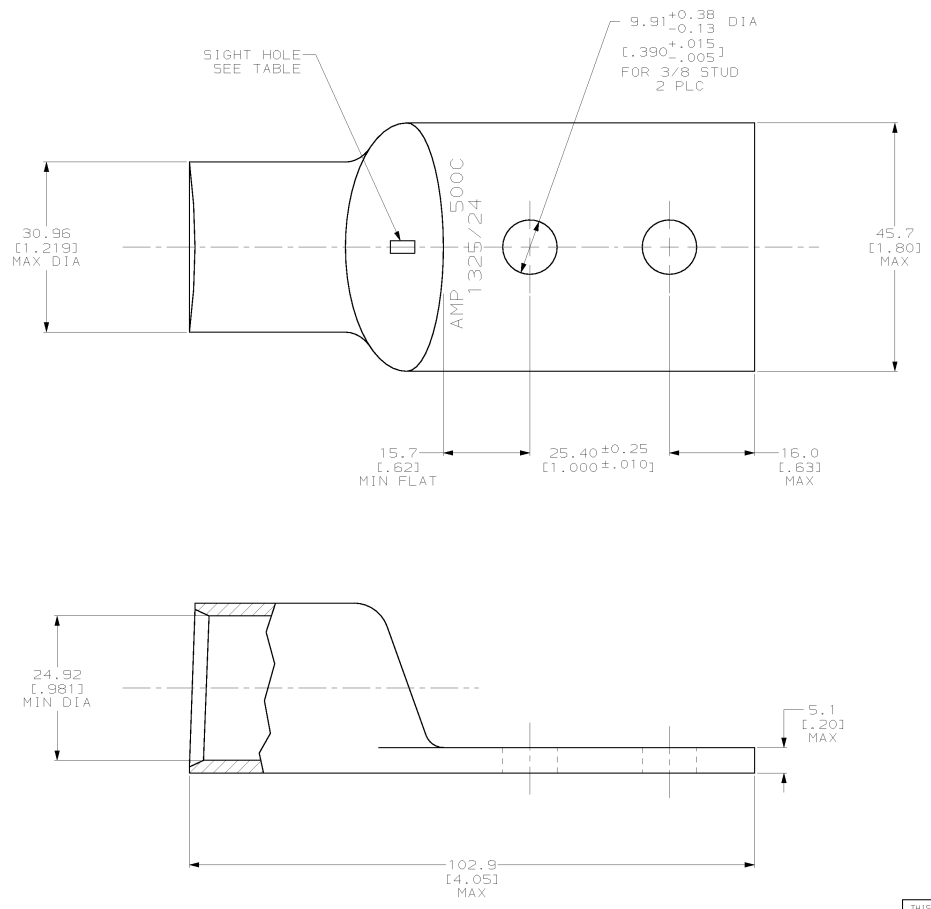
3

2

1

THIS DRAWING IS UNPUBLISHED. RELEASED FOR PUBLICATION. .19
 © COPYRIGHT 19 BY AMP INCORPORATED. ALL RIGHTS RESERVED.

LOC	DIST	REVISIONS					
G	86	F	LTR	DESCRIPTION	DATE	ENR	APPD
		V		REV PER 063A-0561-01	09OCT02	JR	MS



- 1 CIRCULAR MIL AREA RANGE: 450-550 MCM
- 2 COPPER PER ASTM B-75 ANNEALED
- 3 TIN PL 0.00381 [0.00150] MIN THK PER ASTM B-545

NONE	326808-3
REDD	326808
SIGHT HOLE	AMP PART NUMBER

THIS DRAWING IS A CONTROLLED DOCUMENT.		DR: SCHEUM 24SEP97	AMP AMP Incorporated Harrisburg, PA 17105-3608
DIMENSIONS: mm (INCHES)		CHK: VORDEROTH 25SEP97	
TOLERANCES UNLESS OTHERWISE SPECIFIED:		APP: J. BECKLEY 25SEP97	NAME: TERMINAL, AMPPOWER™ WIRE SIZE: 500 MCM
F PLG ±.01		PRODUCT SPEC: 108-30200	
D PLG ±.01		APPLICATION SPEC: -	WEIGHT: .401 Lbs
R PLG ±.01		STUR: -	CASE CODE: A200779
H PLG ±.01		ANGLE: -	SCALE: 2:1
MATERIAL: -	FINISH: -	NET WT: .401 Lbs	SHEET: 1 OF 1
CUSTOMER DRAWING		REV: V	RESTRICTED TO: -

AMP 1471-9 REV 11/06/97
 24-SEP-97 15:23:59 amp3643 /vs/amp1123/dwg1123/u.ampower/u.ncst-tenge

326808

A