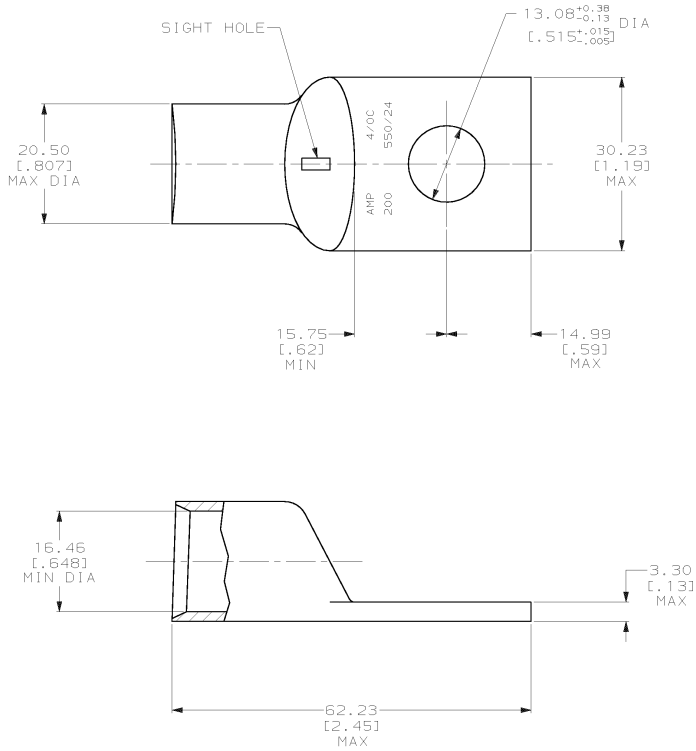


THIS DRAWING IS UNPUBLISHED. RELEASED FOR PUBLICATION .19
 © COPYRIGHT 19 BY AMP INCORPORATED. ALL INTERNATIONAL RIGHTS RESERVED.

LOC	DIST	P	F	ZONE	LTR	REVISIONS	DATE	APPRO
6	86				R	REV PER 063A-0561-01	0700302	HS



325605-5
325605
PART NO

DO NOT SCALE PRINT. UNLESS SPECIFIED DIMENSIONS IN mm (INCHES) TOLERANCES ON: 2 PLC DEC ± - 3 PLC DEC ± - ANGLES ± -	DR 02/28/90 DK SCHIRM	AMP Incorporated Harrisburg, PA 17105-3608
MATERIAL COPPER PER ASTM B-75 ANNEALED	CHK 8/10/92 AJ KAUFMAN	
FINISH TIN PLATE 0.00381 [0.000150] MIN THK PER MIL-T-10727	APPD 8/10/92 RE ROSER	
	APPD 8/10/92 JL MECKLEY	NAME TERMINAL, AMPPOWER, WIRE SIZE: 4/0 AWG
	PRODUCT SPEC -	SIZE CAGE CODE DRAWING NO 00779 C-325605
	APPLICATION SPEC -	SCALE SHEET 2:1 1 OF 1
	WEIGHT .098 LBS	

THIS DRAWING IS A CONTROLLED DOCUMENT FOR AMP INCORPORATED. IT IS SUBJECT TO CHANGE AND THE CONTROLLING ENGINEERING ORGANIZATION SHOULD BE CONTACTED FOR THE LATEST REVISION.

CUSTOMER DRAWING

325605

A