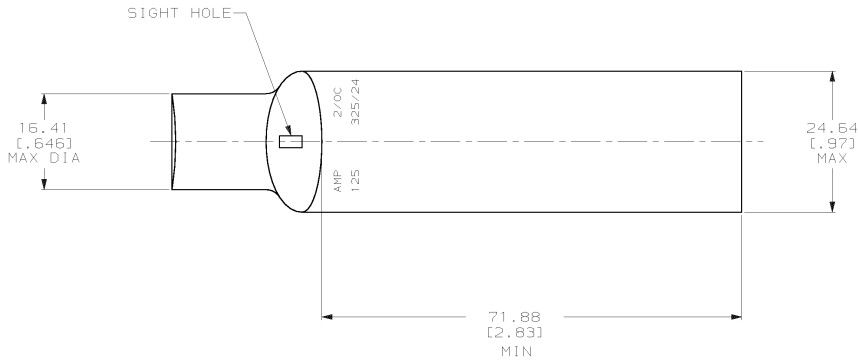
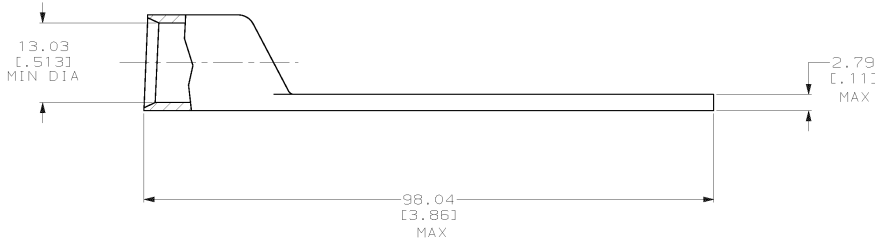


DRAWING MADE IN THIRD ANGLE PROJECTION
 THIS DRAWING IS UNPUBLISHED. RELEASED FOR PUBLICATION .19
 © COPYRIGHT 19 BY AMP INCORPORATED. ALL INTERNATIONAL RIGHTS RESERVED.

LOC		DIST		ZONE		LTR		REVISIONS		DATE	APPD
6	86	P	F					R	REV PER 063A-0561-01	070CT02	JR/MS



1 CIRCULAR MIL AREA RANGE: 119,500-150,500 CM
 TIN PL 0.00381 [.000150] MIN THK PER MIL-T-10727



METRIC

DO NOT SCALE PRINT. UNLESS SPECIFIED DIMENSIONS IN mm (INCHES) TOLERANCES ON: 2 PLC DEC ± 0.51 (.020) 3 PLC DEC ± - ANGLES ± -		DR 02/28/90 DK SCHIRM	325406 PART NO	
MATERIAL ANNEALED COPPER ASTM B-75	CHK 17JAN95 MS FEHER	APPD 17JAN95 WJ VOCKROTH	AMP AMP INCORPORATED Harrisburg, Pa. 17105	
FINISH △	PRODUCT SPEC -	APPLICATION SPEC -	NAME TERMINAL, AMPOWER WIRE SIZE: 2/0 AWG	
WEIGHT .108 LB	SIZE C	CAGE CODE 00779	DRAWING NO 325406	SHEET 1 OF 1

CUSTOMER DRAWING

325406

A