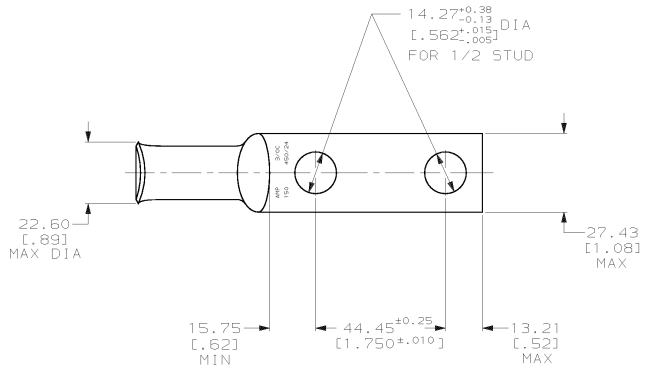
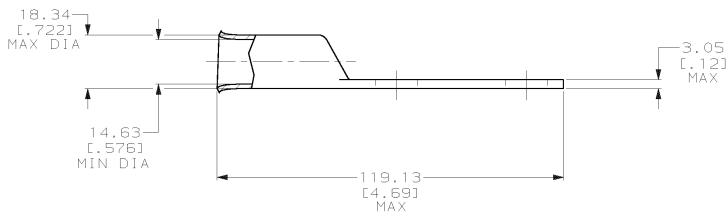


DRAWING MADE IN THIRD ANGLE PROJECTION
 THIS DRAWING IS UNPUBLISHED. RELEASED FOR PUBLICATION .19
 © COPYRIGHT 19 BY AMP INCORPORATED. ALL INTERNATIONAL RIGHTS RESERVED.

LOC	DIST	P	F	ZONE	LTR	REVISIONS	DATE	APPD
6	86					C	REV PER 063A-0561-01	030CT02 UR/MS



1 CIRCULAR MIL RANGE: 150,500-190,000 CM
 TIN PL 0.00381 [0.000150] MIN THK PER MIL-T-10727



METRIC

		53682-2	
		PART NO	
DO NOT SCALE PRINT. UNLESS SPECIFIED DIMENSIONS IN mm (INCHES) TOLERANCES ON: 2 PLC DEC ± 0.51 (0.020) 3 PLC DEC ± - ANGLES ± -		DR 02/28/90 DK SCHRUM	
MATERIAL ANNEALED COPPER ASTM B-75		CHK 18JAN95 MS FEHER	
FINISH △		APPD 18JAN95 WJ VOCKROTH	
APPLICATION SPEC -		NAME TERMINAL, AMPPOWER, WIRE SIZE: 3/0 AWG	
WEIGHT .148 LB		SIZE C	CAGE CODE 00779
		DRAWING NO 53682	SHEET 1 OF 1
		SCALE 1:1	