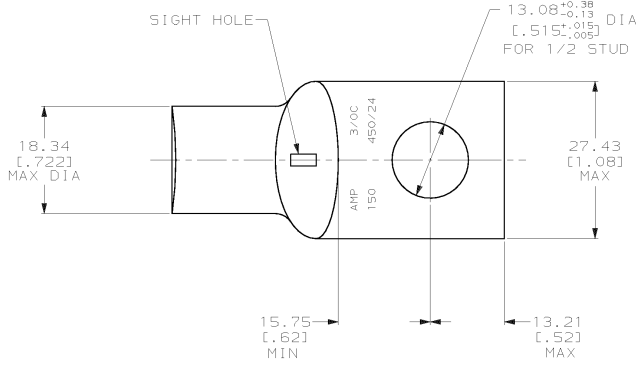
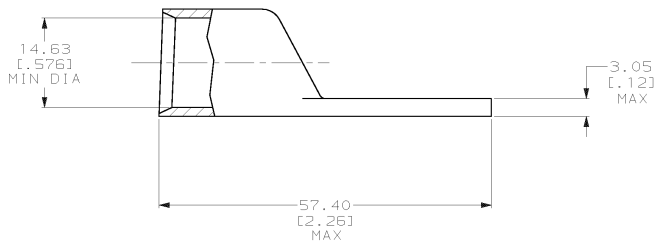


DRAWING MADE IN THIRD ANGLE PROJECTION
 THIS DRAWING IS UNPUBLISHED. RELEASED FOR PUBLICATION .19
 © COPYRIGHT 19 BY AMP INCORPORATED. ALL INTERNATIONAL RIGHTS RESERVED.

LOC	DIST	P	F	ZONE	LTR	REVISIONS	DATE	APPD
6	86					REV PER 063A-0561-01	0700T02	JR/PS



1 CIRCULAR MIL AREA RANGE: 150,500-190,000 CM
 TIN PL 0.00381[.000150] MIN THK PER MIL-T-10727



METRIC

DO NOT SCALE PRINT. UNLESS SPECIFIED DIMENSIONS IN mm (INCHES) TOLERANCES ON: 2 PLC DEC ± 0.51(.020) 3 PLC DEC ± - ANGLES ± -		DR 02/28/90 DK SCHIRM	325505 PART NO	
MATERIAL ANNEALED COPPER ASTM B-75	CHK 18JAN95 MS FEHER	APPD 18JAN95 WJ VOCKROTH	AMP INCORPORATED Morgantown, Pa. 17105	
FINISH TIN PL	PRODUCT SPEC -	APPLICATION SPEC -	NAME TERMINAL, AMPPOWER, WIRE SIZE: 3/0 AWG	
WEIGHT .072 LB	SIZE C	CAGE CODE 00779	DRAWING NO 325505	
	SCALE 2:1		SHEET 1 OF 1	