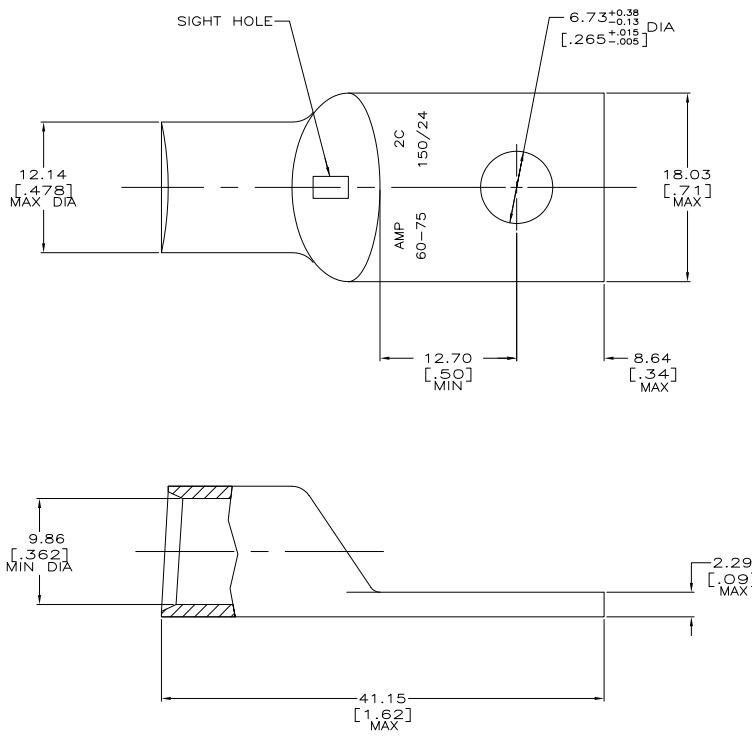


THIS DRAWING IS UNPUBLISHED. RELEASED FOR PUBLICATION. ALL RIGHTS RESERVED.

REV	DATE	DESCRIPTION	BY	APPD
V2	11MAR11	REVISED PER ECO-11-004917	RK	HMR



1 CIRCULAR MIL AREA RANGE: 52,600-83,700 CM
 TIN PL 0.00381[.000150] MIN THK PER MIL-T-10727

325201
 PART NO.

THIS DRAWING IS A CONTROLLED DOCUMENT.		DRN DK SCHRUM	04/05/00	TE Connectivity	
DIMENSIONS: mm[INCHES]		DRS MS FEHER	18JAN03	TERMINAL, AMPPOWER, WIRE SIZE: 2 AWG	
TOLERANCES UNLESS OTHERWISE SPECIFIED:		APPRO TL SHUITTER	18JAN03	RESTRICTED TO	
Ø	± .010	PRODUCT SPEC	108-30200	-	
1/16	± 0.01[.020]	APPLICATION SPEC		-	
1/32	± .005	WEIGHT	.026 LB	-	
1/64	± .002	SIZE	A2	CAGE CODE	00779
FINISH		DRAWING NO	325201	-	
MATERIAL	ANNEALED COPPER ASTM B-75	CUSTOMER DRAWING	SCALE	4:1	SHEET 1 of 1