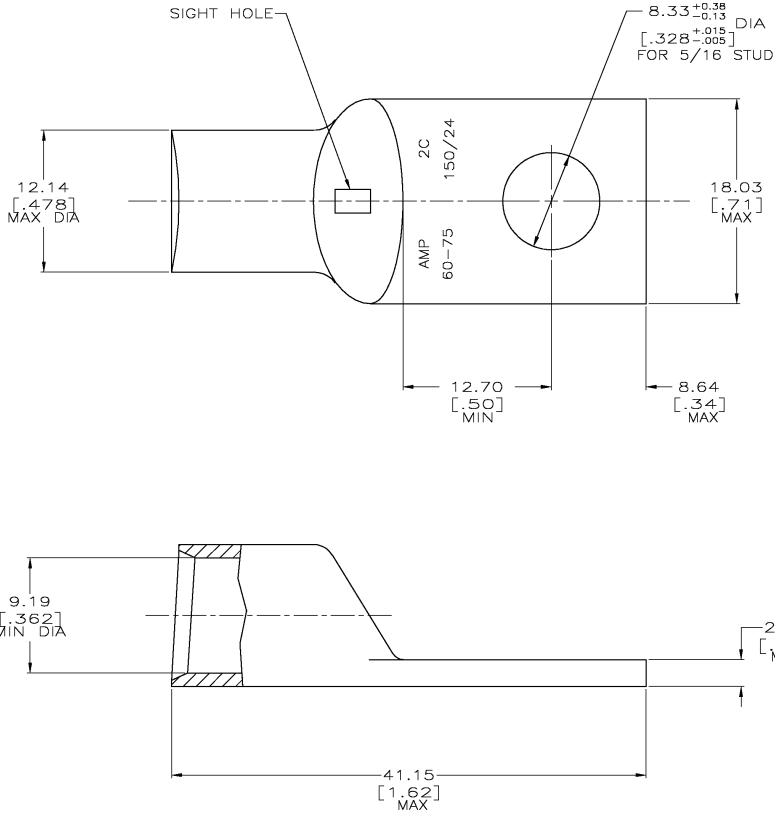


DRAWING MADE IN THIRD ANGLE PROJECTION
 THIS DRAWING IS UNPUBLISHED. RELEASED FOR PUBLICATION .19
 © COPYRIGHT 19 BY AMP INCORPORATED. ALL INTERNATIONAL RIGHTS RESERVED.

REVISIONS								
LOG	DIST	P	F	ZONE	LTR	DESCRIPTION	DATE	APPD
C	86				U	REV PER 063A-0006-03	07JAN03	JR/MS



1 CIRCULAR MIL AREA RANGE: 52,600-83,700 CM
 TIN PL 0.00381[.000150] MIN THK PER MIL-T-10727

METRIC

DO NOT SCALE PRINT. UNLESS SPECIFIED DIMENSIONS IN mm [INCHES] TOLERANCES ON : 2 PLC DEC ± 0.51[.020] 3 PLC DEC ± - ANGLES ± -		DR 02/28/90 DK SCHIRM	325202 PART NO	
CHK 1BJAN95 MS FEHER	APPD 1BJAN95 WJ VOCKROTH	PRODUCT SPEC 108-30200	AMP INCORPORATED Harrisburg, Pa. 17105	
MATERIAL ANNEALED COPPER ASTM B-75	FINISH △	APPLICATION SPEC -	SIZE C	CAGE CODE 00779
WEIGHT .025 LB		SCALE 4:1	DRAWING NO 325202	SHEET 10F 1

AMP 1471-6 REV 6-89 Terminal 021119,104231 (YMM00104MM05) from
 Computertron, Inc., Medium Release 12.237
 18-JAN-95 12:43:50 amp26463

CUSTOMER DRAWING