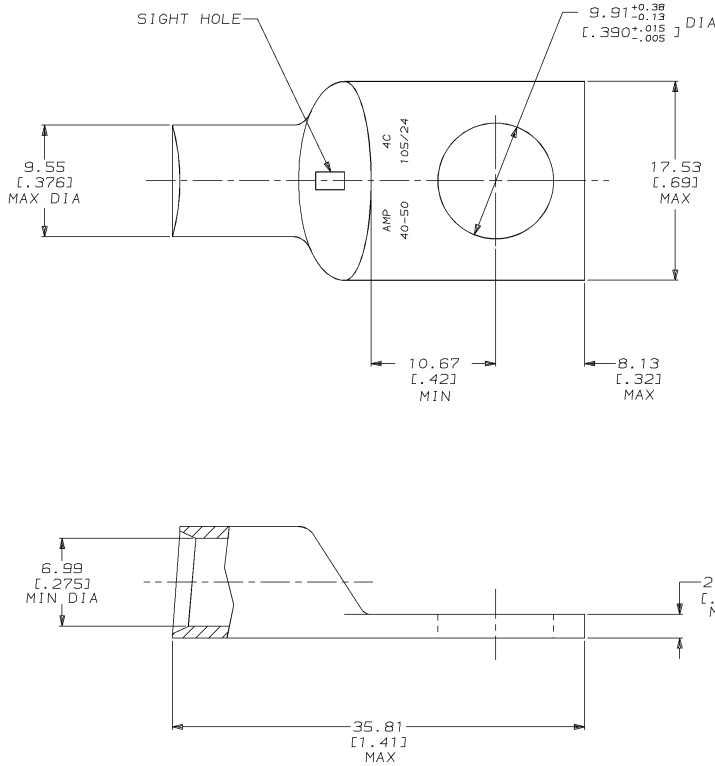


DRAWING MADE IN THIRD ANGLE PROJECTION  
 THIS DRAWING IS UNPUBLISHED. RELEASED FOR PUBLICATION  
 © COPYRIGHT 19 BY AMP INCORPORATED. ALL INTERNATIONAL RIGHTS RESERVED.

LOC		DIST		REVISIONS			DATE	APPD
P	F	ZONE	LTR	DESCRIPTION				
6	86			T	REV & REDRA PER G-5357	02/28/90		



1 CIRCULAR MIL AREA RANGE: 33,100-52,600 CM  
 TIN PL 0.00381 [.000150] MIN THK PER MIL-T-10727

**METRIC**

DO NOT SCALE PRINT. UNLESS SPECIFIED DIMENSIONS IN mm [INCHES] TOLERANCES ON :		DR 02/28/90 DK SCHRUM	328164 PART NO	
2 PLC DEC # 0.51 (.020)	3 PLC DEC # -	CHK 1SJANGS MS FEHER	<b>AMP</b> AMP INCORPORATED Harrisburg, Pa. 17105 NAME <b>TERMINAL, AMPOWER™,          WIRE SIZE: 4 AWG</b>	
ANGLES ± -		APPD 1SJANGS WJ VOCKROTH		
MATERIAL ANNEALED COPPER ASTM B-152		APPD 1SJANGS TL SHUTTER	PRODUCT SPEC 108-30200	
FINISH △	APPLICATION SPEC -	SIZE <b>C</b>	CAGE CODE 00779	DRAWING NO 328164
	WEIGHT .015 LB	SCALE 4:1	SHEET 1 OF 1	