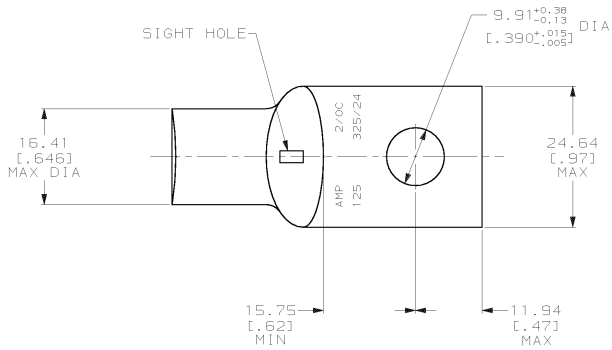
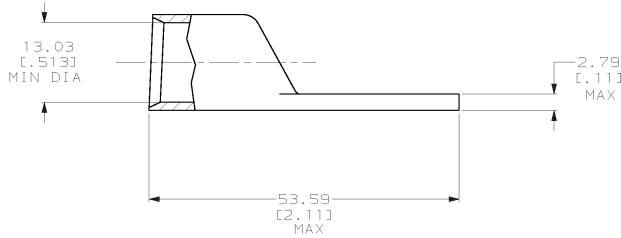


DRAWING MADE IN THIRD ANGLE PROJECTION  
 THIS DRAWING IS UNPUBLISHED. RELEASED FOR PUBLICATION .19  
 © COPYRIGHT 19 BY AMP INCORPORATED. ALL INTERNATIONAL RIGHTS RESERVED.

LOC		DIST		ZONE		LTR		REVISIONS		DATE	APPD
6	86	P	F			R		REV PER 063A-0561-01	070CT02	JR/MS	



1 CIRCULAR MIL AREA RANGE: 119,500-150,500 CM  
 TIN PL 0.00381 [0.000150] MIN THK PER MIL-T-10727



**METRIC**

		325403	
		PART NO	
DO NOT SCALE PRINT. UNLESS SPECIFIED DIMENSIONS IN mm (INCHES) TOLERANCES ON: 2 PLC DEC ± 0.51 (0.020) 3 PLC DEC ± - ANGLES ± -		AMP INCORPORATED Harrisburg, Pa. 17105	
DR 02/28/90 DK SCHIRM		NAME	
CHK 17JAN95 MS FEHER		TERMINAL, AMPOWER	
APPD 17JAN95 WJ VOCKROTH		WIRE SIZE: 2/0 AWG	
MATERIAL ANNEALED COPPER ASTM B-75		PRODUCT SPEC -	
FINISH -		SIZE C	CAGE CODE 00779
APPLICATION SPEC -		DRAWING NO 325403	
WEIGHT .055 LB		SCALE 2:1	SHEET 1 OF 1