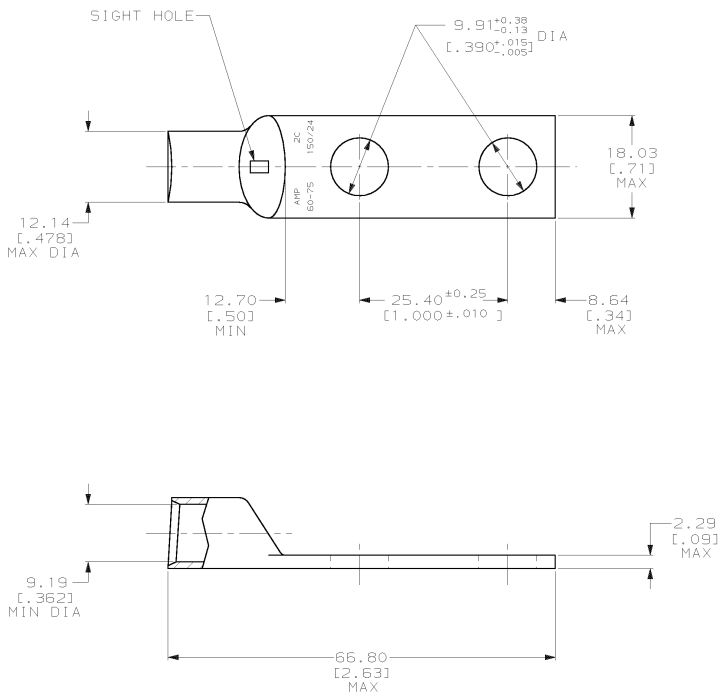


DRAWING MADE IN THIRD ANGLE PROJECTION  
 THIS DRAWING IS UNPUBLISHED. RELEASED FOR PUBLICATION .19  
 © COPYRIGHT 19 BY AMP INCORPORATED. ALL INTERNATIONAL RIGHTS RESERVED.

LOC		DIST		ZONE		LTR		REVISIONS		DATE	APPD
6	86	P	F			V		REV PER 063A-0561-01	0900T02	JR/MS	



**METRIC**

		326799	
		PART NO	
DO NOT SCALE PRINT. UNLESS SPECIFIED DIMENSIONS IN mm (INCHES) TOLERANCES ON: 2 PLC DEC ± 0.51 (0.020) 3 PLC DEC ± - ANGLES ± -		AMP AMP INCORPORATED Harrisburg, Pa. 17105	
DR 02/28/90 DK SCHRUM		NAME	
CHK 18JAN95 MS FEHER		TERMINAL, AMPOWER™ WIRE SIZE: 2 AWG	
APPD 18JAN95 WJ VOCKROTH		DRAWING NO	
MATERIAL ANNEALED COPPER ASTM B-75		326799	
PRODUCT SPEC 108-30200		SHEET 1 OF 1	
FINISH △		SIZE C	CAGE CODE 00779
APPLICATION SPEC -		SCALE 2:1	
WEIGHT .038 LB			