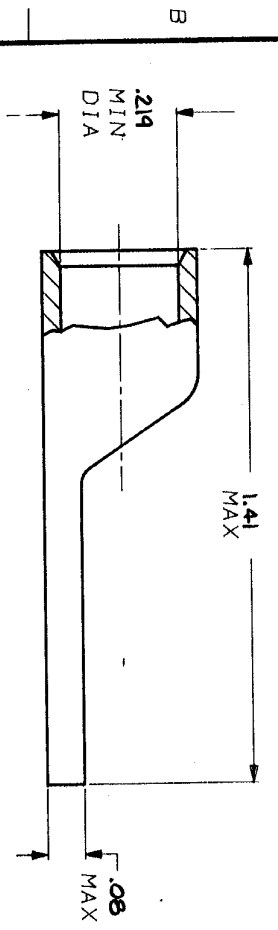
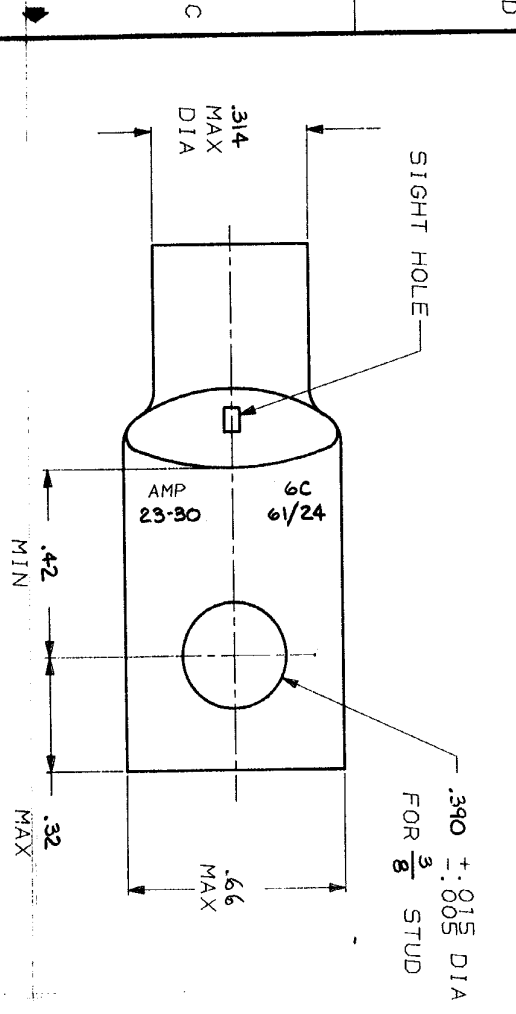


DRAWING MADE IN THIRD ANGLE PROJECTION  
 THIS DRAWING IS UNPUBLISHED. RELEASED FOR PUBLICATION  
 © COPYRIGHT 19 BY AMP INCORPORATED HARRISBURG, PA. ALL INTERNATIONAL RIGHTS RESERVED AMP PRODUCTS MAY BE COVERED BY U.S. AND FOREIGN PATENTS AND/OR PATENTS PENDING.

LOC	DIST	P	F	ZONE	LTR	DESCRIPTION	DATE	APPROVED
6	86	✓	✓		P	REV & REDRAWN PER G-2161	6/9/86	DKS
		✓			R	REV PER G-S397	3/25/88	DKS



1. CIRCULAR MIL AREA RANGE: 20,800-33,100

AMP 1470-15 REV 10-84

UNLESS OTHERWISE SPECIFIED DIMENSIONS ARE IN INCHES 2 PL DEC # - 3 PL DEC # - ANGLES # -		DR. WAREHAM 6/9/86 DATE: 6-19-86 APPROVED: <i>[Signature]</i> AMP	NAME: AMP AMP INCORPORATED Harrisburg, Pa. 17105
MATERIAL: ANNEALED COPPER ASTM B-152		PRODUCT SPEC: <i>[Signature]</i> WEIGHT: .014 LB	PART NO: 328144
FINISH: TIN PLATE THK .000150 MIN THK MIL-T-10727		FSCN NO: 00779 SCALE: NTS	DRAWING NO: 328144 SHEET: 1 OF 1

CUSTOMER DRAWING