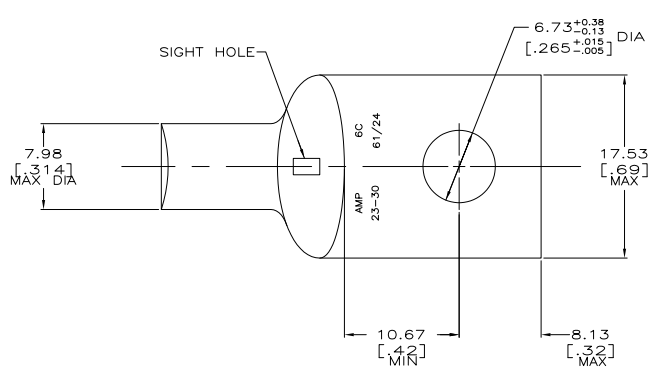
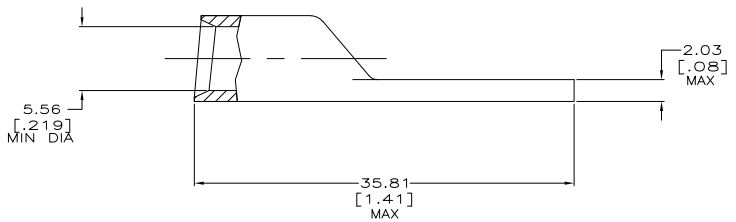


THE DRAWING IS UNPUBLISHED. RELEASED FOR PUBLICATION. ALL RIGHTS RESERVED.

LOC	DBT	REVISONS		26APR99	ME/TM	DATE	DW	APD
G	86	P	LTR	DESCRIPTION		11MAR11	RK	HMR
		T1		REVISED PER ECO-11-004917				



1 CIRCULAR MIL AREA RANGE: 20,800-33,100 CM
 TIN PL 0.00381[.000150] MIN THK PER ASTM B 545



THIS DRAWING IS A CONTROLLED DOCUMENT.		DN	DK SCHIRM	02/28/99	328142	
DIMENSIONS: MM(INCHES)		DR	MS FEHER	18JAN95	PART NO	
TOLERANCES UNLESS OTHERWISE SPECIFIED:		APR	WJ VOCKROTH	18JAN95	TE Connectivity	
Ø FUC ± -		PROD	108-30200	TERMINAL, AMPOWER™		
FUC ± 0.51[0.020]		APPL	APPLICATION SPEC	WIRE SIZE: 6 AWG		
FUC ± -		SIZE	A2	CAGE CODE	00779	DRAWING NO
FUC ± -		WEIGHT	.015 LB	C=328142		RESTRICTED TO
MATERIAL: ANNEALED COPPER ASTM B-152		FINISH	△	CUSTOMER DRAWING	SCALE	4:1
				SHEET	1 of 1	REV
						T1

1471-9 (5/11)